

CLUSTER CONCEPT 60



CODE ID

OVEN WITH MULTIFUNCTION COOKING

FCLO 6215 TEM BK



CREACTIVE COOKING SYSTEM

A++

Energy Class



Multi-Level Cooking



Programmes Automatic Cleaning



Safe Door



Soft Closing

OVEN FEATURES

Energy class: A++
Obsidian black glass
PYRO-Black porcelain enamel
Creative Extended Touch Control System
True Convection
Cool to the touch and soft closing door
Large cooking cavity and viewing area
Catalytic Liners (rear and sides)
2 Halogen lights for flawless visibility
Gross capacity 65 lt
Lock Keys
Door Lock

OVEN MODES

Bake
Broil
Convection
Keep Warm
Auto cooking (pre-set editable recipes)
Pre-set default temperature
Preheat (display instantaneous temperature)
Fast Preheat Mode
Setting Temperature °C/°F
Setting Weight Kg/lb
Event Logs (for Service)
Meat Probe
Clean - Assisted Cycle

SERIES ACCESSORIES

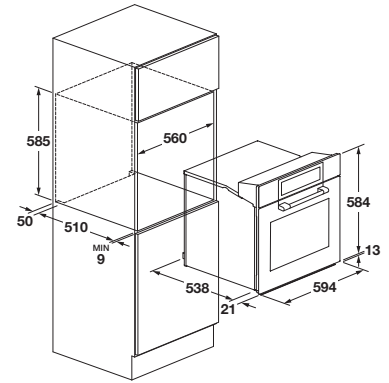
1 flat chromed rack
1 telescopic racks
1 enamelled tray
1 glass tray
Power cord with plug

ACCESSORIES ON REQUEST

FG 60	EAN	8019801014767
ET 60 BK	EAN	8019801014798
GT 60	EAN	8019801014781
TELG 60 M/P	EAN	8019801014682

CLUSTER

MULTIFUNCTION OVEN



FCLO 6215 TEM BK - ELECTRONIC MULTI-FUNCTION	
Finishing	Obsidian black glass
Inner sleeve: enamel colour	UltraBlack
MAIN FEATURES	
Energy efficiency class	A++
Usable capacity (litres)	65 L
Cooling	•
Functions n.	15
PERFORMANCES	
Cooking max. temperature	250°C
Classic Pizza Function temperature	-
Pyrolysis Temperature	-
Dual true Convection	-
Self-cleaning by Pyrolysis /Eco Pyrolysis	•
Assisted cleaning (CLEAN)	-
Grill power (W)	1200+1000
Low temperature slow cooking	•
CONTROLS	
Programming	Creative Extended
Recipes	•
Auto switch off	-
Booster	•
Meat probe	•
On/Off icon	•
Thermostat	•
Fan assisted	•
Functioning led	•
SAFETY	
Safety lock door	•
Cold door / glass nr.	•/3
Soft Closing door	•
ACCESSORIES	
Lighting (20W Halogen lamps) nr.	2
Slider set nr.	2
Trays nr./ type	1 glass
Flat metal rack nr.	2
Roung metal grid nr.	-
Pizza stone nr.	-
Pizza paddle nr.	-
Rotisserie with turnspit	-
POWER RATING	
Max absorbed power (W)	3500W
Tension and frequency (V-Hz)	230/50
Cord	•
Plug Type	Schuko
PRODUCT DIMENSIONS	
Width x Height x Depth	(594 x 584 x 538) mm
Cut-Out (W x H x D)	(560 x 585 x 550) mm