

## IGN 2566 Premium NoFrost

[Technical data](#)

[Capacity](#)

[Functions](#)

[Equipment freezer compartment](#)[Equipment benefits](#)

[Installation diagram](#)[Operating instructions](#)

Energy efficiency class

A+

Energy consumption in 365 days [KWH]

302.9

[NoFrost](#)

✓

Defrosting, freezing compartment

automatic

Climate class

SN-T

Storage time during malfunctions [h]

34

Freezing capacity in 24 hrs [kg]

18

Star-coding

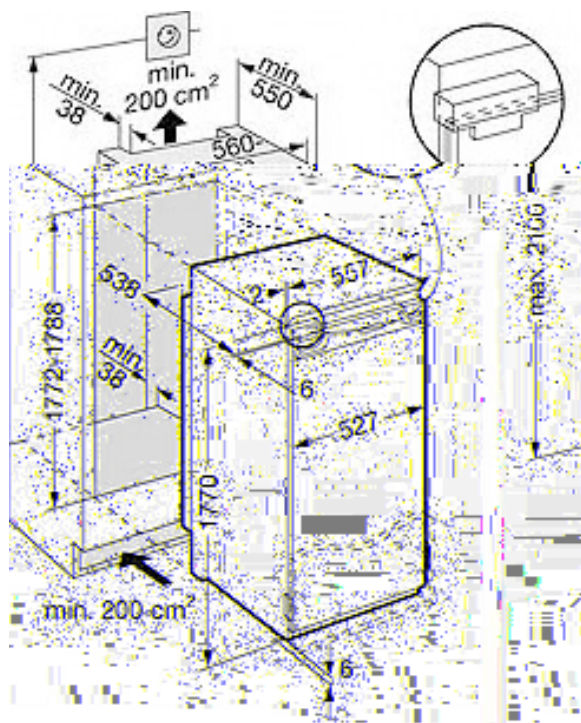
4

door assembly

door-on-door

Door opening angle

115°



ALSO AVAILABLE MODEL **IGN2556**  
SAME SPECIFICATIONS

