

CLUSTER CONCEPT COMBISET



CODE ID

WARMING DRAWER 15

FCLWD 150 BK



 Telescopic Rack

 Leavening

 Slow Cooking

 Warming Function

 Thawing

 Push Opening

WARMING DRAWER

Obsidian black glass
Push-To-Open system
Front panel 15 cm high
Total extraction

PERFORMANCE

Keep warm cooked food
Thawing
Dough leavening
Delicate cooking at 70° C
Pre-heating crocker
Pre-heating coffee cups

FEATURES

Internal non-slip rubber mat
Interior lighting
Fan assisted
Adjustable thermostat
from 40° C to 70° C
Timer
Operation indicator
Safe front

INCLUDED ACCESSORIES

Telescopic racks
Power cord with plug

MATCH WITH

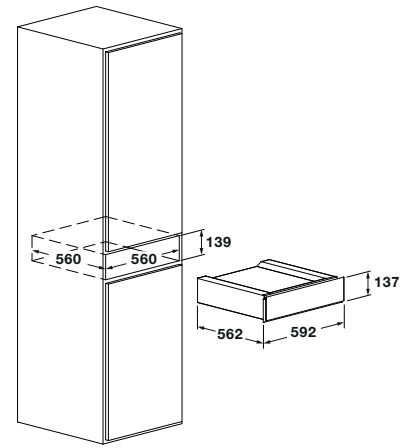
Appliances of CLUSTER CONCEPT line



OBSIDIAN BLACK GLASS
FCLWD 150 BK

CLUSTER CONCEPT

DRAWER



FCLWD 150 BK	
Type	Warming drawer
Finishing	Obsidian black glass
Inner surface	Non slip rubber mat
Front opening	Push to Open
PERFORMANCE	
Max temperature °C	70
Low temperatur slow cooking	•
Leavening	•
Reaheat	•
CONTROLS	
On/Off buttons	•
Thermostat	•
Fan assisted	•
Functioning warning light	•
SAFETY	
Cool front	•
POWER RATINGS	
Max absorbed power (W)	400 W
Tension and frequency (V-Hz)	220 - 240 / 50 - 60
Cord	•
Plug Type	Schuko
DIMENSIONS	
Width mm	592
Height mm	137
Depth mm	562
Cut-out (W x H x D) mm	560 x 139 x 560