

URBANTECH COMBISET

CODE ID

STORAGE DRAWER 15

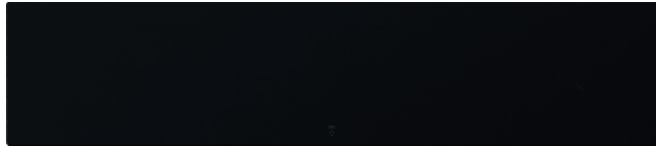
FUD 150 MBK



Sliding telescopic rails



Push opening



STORAGE DRAWER

Front 15 cm high
Push to Open system
Total extraction
Matte black metal finish

FEATURES

Non-slip rubber mat

INCLUDED ACCESSORIES

Sliding Telescopic rails
Power cord with plug

MATCH WITH

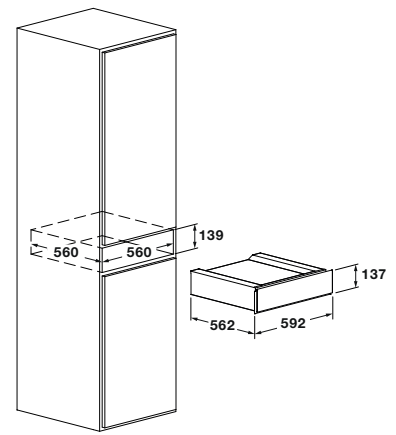
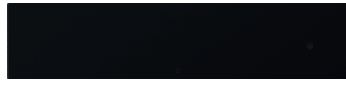
Wine cellar
Coffee machine FUCM 4500 TF MBK



MATTE BLACK METAL
FUD 150 MBK

URBANTECH

COFFEE MACHINE



FJD 150 MBK	
Type	Storage drawer
Finishing	Matte black metal
Inner surface	Non-slip rubber mat
Front opening	Push to open
PERFORMANCE	
Max temperature °C	-
Low temperatur slow cooking	-
Leavening	-
Reaheat	-
CONTROLS	
On/Off buttons	-
Thermostat	-
Fan assisted	-
Functioning warning light	-
SAFETY	
Cool front	-
POWER RATING	
Max absorbed power (W)	-
Tension and frequency (V-Hz)	-
Cord	-
Plug Type	-
DIMENSIONS	
Width mm	592
Height mm	137
Depth mm	562
Cut-out (W x H x D) mm	560 x 139 x 560