

**Series 4, Built-in oven, 60 x 60 cm,
Black
HBA534BB0**



Included accessories

1 x combination grid
1 x universal pan

The built-in oven with 3D hotair: achieve perfect baking and roasting results on up to three levels simultaneously.

- **LED-display control, red:** easy-to-use thanks to the time functions.
- **Pop-out controls:** for an easy to clean front.
- **EcoClean Direct:** less cleaning effort thanks to a special coating of the rear wall that automatically absorbs grime.
- **Cleaning Assistance:** less cleaning effort thanks to the new cleaning option, which can be especially used for cleaning of light soiling.

Technical Data

Gross weight : 33.1 kg
 Color / Material Front : Black
 Built-in / Free-standing : Built-in
 Integrated Cleaning system : Catalytic partial, Hydrolytic
 Min. required niche size for installation (HxWxD) : 585-595 x 560-568 x 550 mm
 Dimensions : 595 x 594 x 548 mm
 Dimensions of the packed product (HxWxD) : 675 x 690 x 660 mm
 Control Panel Material : Glass
 Door Material : Glass
 Net weight : 30.9 kg
 Usable volume of cavity : 71 l
 Heating modes : : Bottom heat, Full width grill, Hot Air, Hotair gentle, Hot air grilling, Pizza setting, Top/bottom heat
 First cavity material : Other
 Number of interior lights : 1
 Length electrical supply cord : 120.0 cm
 Interior Lights - cavity 1 : 1
 Pull-out system : Accessory
 Clock function : Alarm, Off, On
 Included accessories : 1 x combination grid, 1 x universal pan
 Broil Element Wattages cavity 1 : 2700 W
 Convection Element Wattages cavity 1 : 2200 W
 Energy efficiency rating : A
 Energy consumption per cycle conventional (2010/30/EC) : 0.97 kWh/cycle
 Energy consumption per cycle forced air convection (2010/30/EC) : 0.81 kWh/cycle
 Energy efficiency index (2010/30/EC) : 95.3 %
 Connection Rating : 3400 W
 Fuse protection : 16 A
 Voltage : 220-240 V
 Frequency : 60; 50 Hz
 Plug type : GARDY plug w/ earthing
 Color / Material Front : Black
 Alternative colors available : HBA534BW0, HBA534BR0, HBA534BS0
 Energy input : Electric
 Required cutout/niche size for installation (in) : x
 Dimensions of the packed product : 26.57 x 25.98 x 27.16
 Net weight : 68.000 lbs
 Gross weight : 73.000 lbs
 Length electrical supply cord : 120.0 cm
 Net weight : 30.9 kg
 Included accessories : 1 x combination grid, 1 x universal pan



Series 4, Built-in oven, 60 x 60 cm, Black HBA534BB0

The built-in oven with 3D hotair: achieve perfect baking and roasting results on up to three levels simultaneously.

Dimensions:

- Appliance dimension (hxwxd): 595 mm x 594 mm x 548 mm
- Niche dimension (hxwxd): 585 mm - 595 mm x 560 mm - 568 mm x 550 mm
- "Please reference the built-in dimensions provided in the installation drawing"
- We recommend you to choose complementary products within Series 4, in order to assure an optimal design combination of your Built-In appliances.

Type of oven / heating system:

- Oven with 7 heating methods: 3D hotair, Conventional heat, Hot air grilling, Full width grill, Pizza setting, Bottom heat, Hotair gentle
- Temperature range 50 °C - 275 °C
- Cavity volume: 71 l

Hook-in racks / rails

- Number of shelf levels: 5 PC
- Accessory

Design:

- Rotary Control, Pop-out controls
- Extra large capacity oven with grey enamel

Cleaning:

- EcoClean Direct: coating of back panel

Comfort:

- LED-display control (red)
- Electronic clock
- automatic start
Heating-up control
- Bar handle
- Rapid heating-up
- Halogen interior lighting
- Integral cooling fan

Accessory:

- combination grid, universal pan

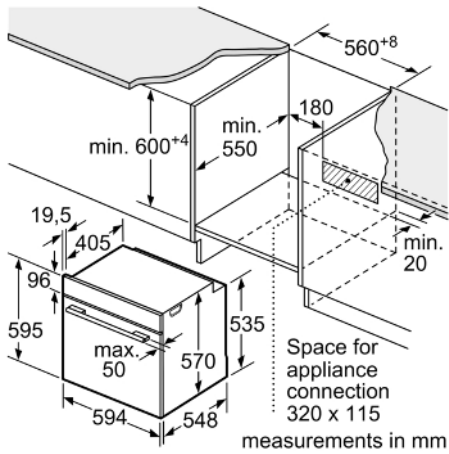
Environment and Safety:

- Child lock

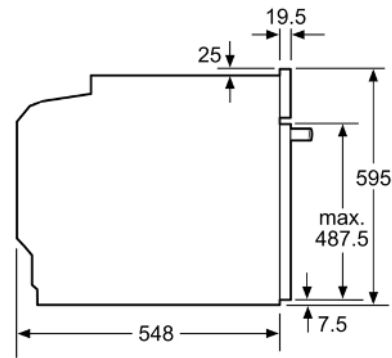
Technical Information

- Length of mains cable: 120 cm
- Nominal voltage: 220 - 240 V
- Total connected load electric: 3.4 KW
- Energy efficiency rating (acc. EU Nr. 65/2014): A(at a range of energy efficiency classes from A+++ to D)
Energy consumption per cycle in conventional mode:0.97 kWh
Energy consumption per cycle in fan-forced convection mode:0.81 kWh
Number of cavities: 1 Heat source: electrical Cavity volume:71 l

**Series 4, Built-in oven, 60 x 60 cm, Black
HBA534BB0**

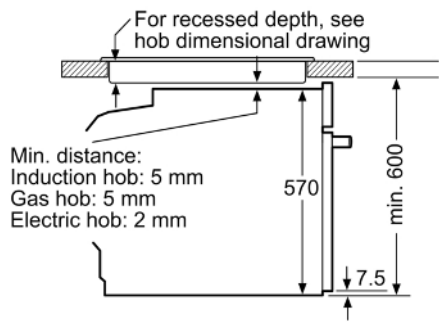


measurements in mm



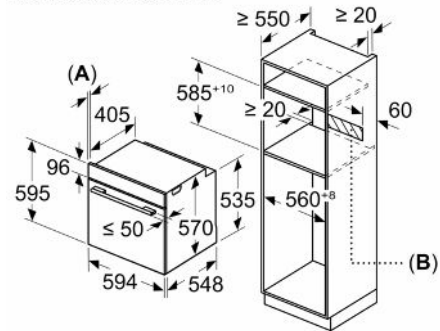
measurements in mm

Installation with a hob.



measurements in mm

Measurements in mm



A: 19.5 mm
B: Space for appliance connection 320 x 115 mm