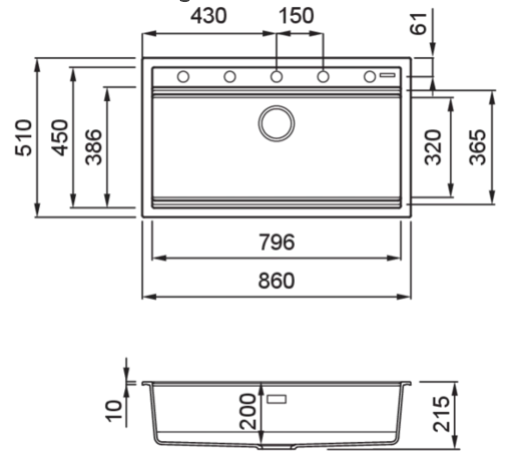


BEST 360



Technical Drawing



0

Description	1-bowl sink
Model	BEST 360
Base (mm)	900
0	Inset
Dimensions (mm)	860 x 510
Hole for built-in installation (mm)	840 x 480
Number of Bowls	1
Bowl Depth (mm)	200



0

Gross Weight (kg)	19,40
Net Weight (kg)	14,50
Packaging Dimension (kg)	940 x 575 x 300
0 (kg)	0,162

0

Packaging	Cardboard and polyethylene
0	Space-saving siphon, integrated Flow Pro, rectangular overflow and hooks.

KERATEK^{plus}

CERAMIC NANOTECHNOLOGY CN6



LKB36086 K86
8031873026370



LKB36093 K93
8031873026448



LKB36095 K95
8031873026455



LKB36096 K96
8031873026462



LKB36097 K97
8031873026387



LKB36099 K99
8031873026363

GRANITEK[®]

NATURAL GRANITE EFFECT

METAL



LMB36073 M73
8031873110802



LMB36079 M79
8031873110826

MATT



LGB36040 G40
8032557037965



LGB36043 G43
8032557037972



LGB36048 G48
8032557037989



LGB36068 G68
8032557038023



LGB36078 G78
8032557066897

CLASSIC



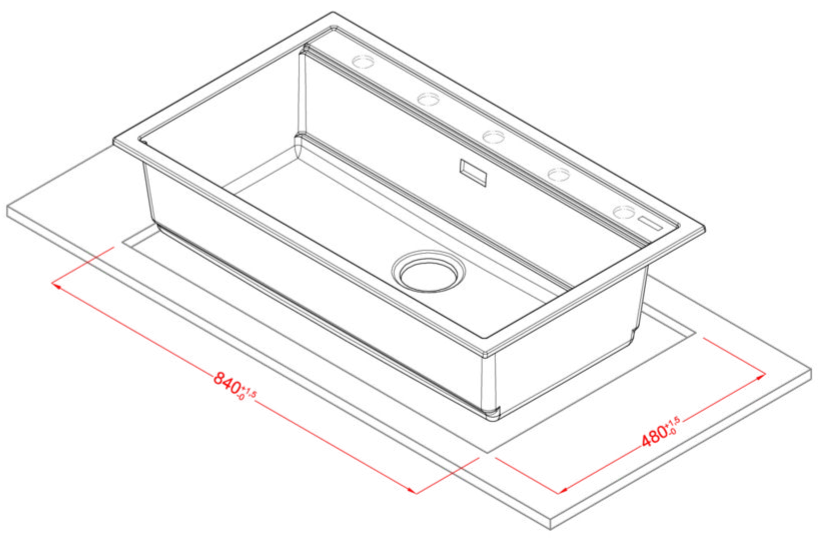
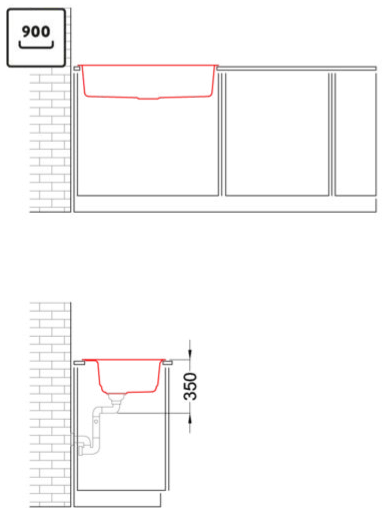
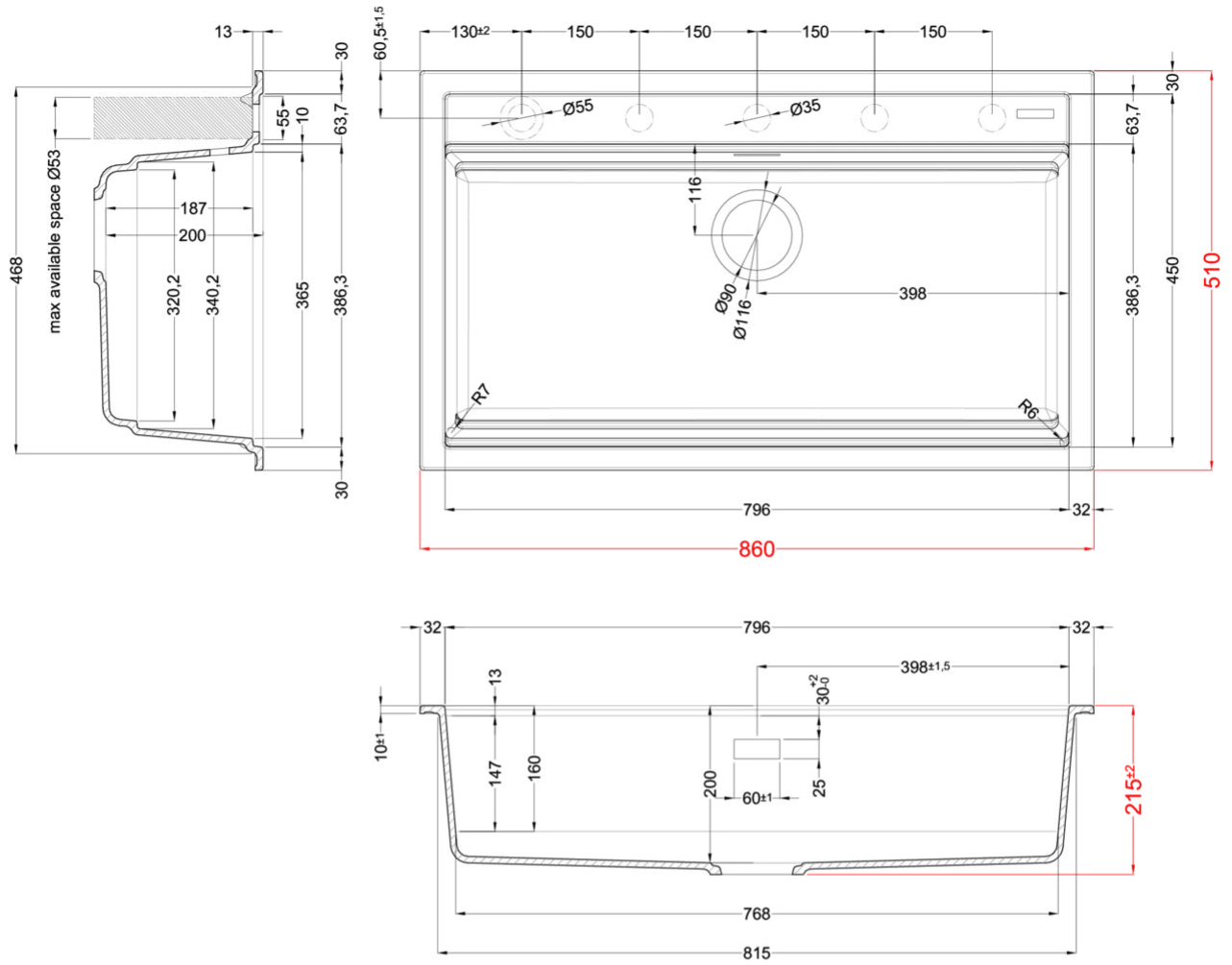
LGB36051 G51
8032557037996



LGB36059 G59
8032557038009



LGB36062 G62
8032557038016



BEST 360

general tolerances where not expressly communicated $\pm 0.2\%$
 connection dimensions according to UNI EN 695

