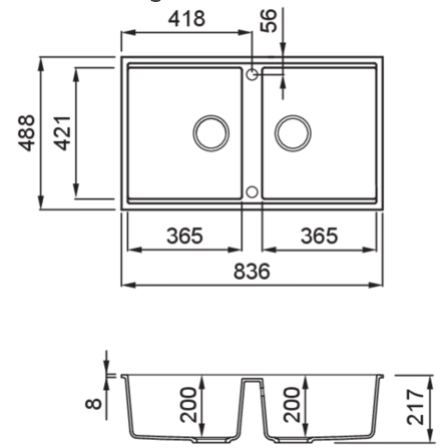


BEST 450 SOTTOTOP



Technical Drawing



0	
Description	2-bowl sink
Model	BEST 450 SOTTOTOP
Base (mm)	900
0	Undermount
Dimensions (mm)	836 x 488
Hole for built-in installation (mm)	795 x 448 R6
Number of Bowls	2
0	
Gross Weight (kg)	19,40
Net Weight (kg)	14,50
Packaging Dimension (kg)	940 x 575 x 300
0 (kg)	0,162
0	
Packaging	Cardboard and polyethylene
0	Space-saving siphon, integrated Flow Pro, rectangular overflow and hooks.

KERATEK^{plus}

CERAMIC NANOTECHNOLOGY CN6



LKB45086BSO K86
8031873020149



LKB45093BSO K93
8031873026523



LKB45095BSO K95
8031873026530



LKB45096BSO K96
8031873020163



LKB45097BSO K97
8031873026554



LKB45099BSO K99
8031873026578

GRANITEK[®]

NATURAL GRANITE EFFECT

METAL



LMB45073BSO M73
8032861953739



LMB45079BSO M79
8032861953753

MATT



LGB45040BSO G40
8032861047872



LGB45043BSO G43
8032861043423



LGB45048BSO G48
8032557030843



LGB45068BSO G68
8032861043614



LGB45078BSO G78
8032557066934

CLASSIC



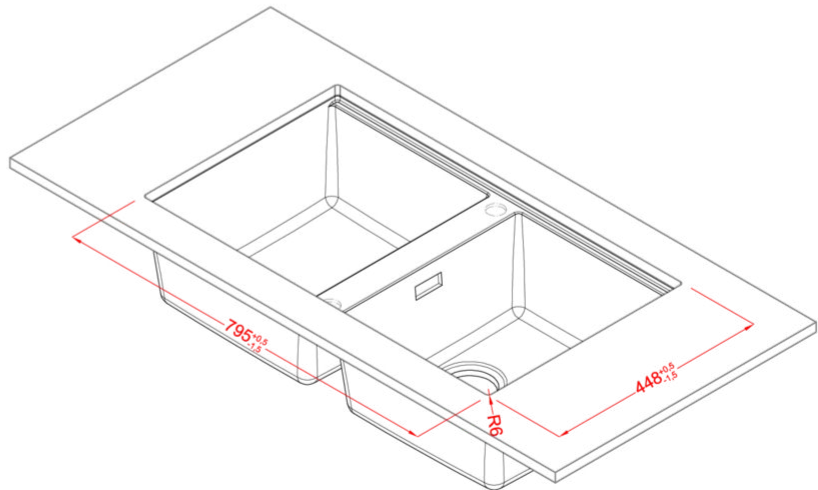
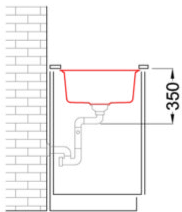
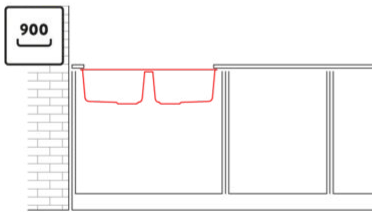
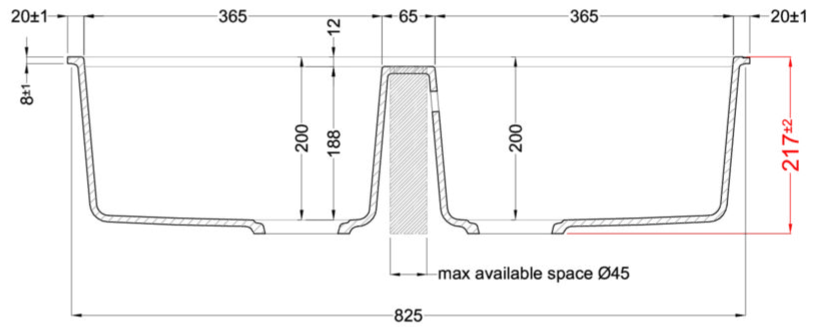
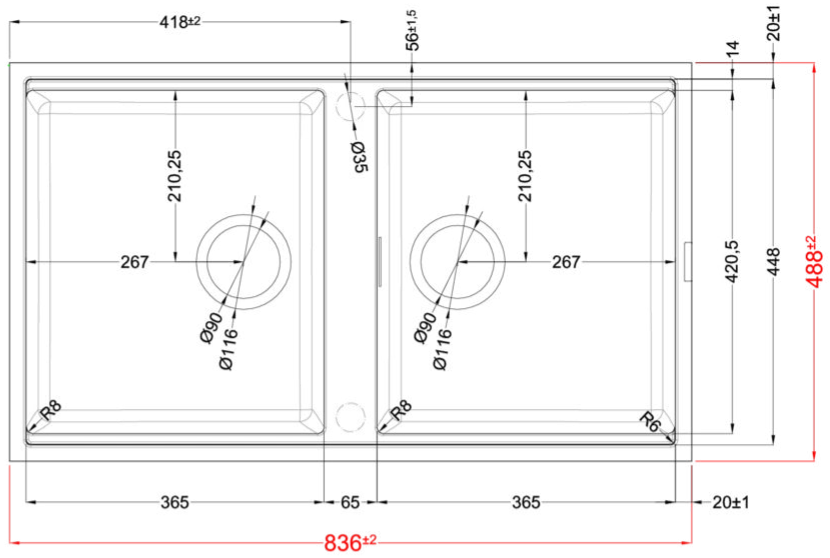
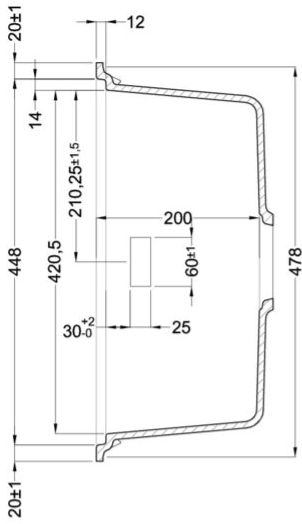
LGB45051BSO G51
8032861041658



LGB45059BSO G59
8032861042792



LGB45062BSO G62
8032861046998



BEST 450 UNDERMOUNT

general tolerances where not expressly communicated $\pm 0.2\%$
connection dimensions according to UNI EN 695

