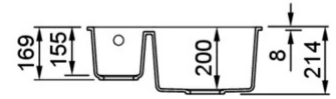
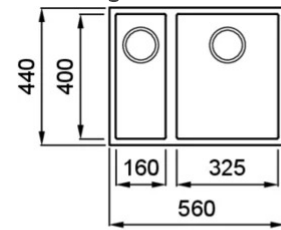


# QUADRA 150 SOTTOTOP



## Technical Drawing



0

<b>Description</b>	2-bowl sink
<b>Model</b>	QUADRA 150 SOTTOTOP
<b>Base (mm)</b>	600
<b>0</b>	Undermount
<b>Dimensions (mm)</b>	560 x 440
<b>Hole for built-in installation (mm)</b>	520 x 400 R5
<b>Number of Bowls</b>	2



0

<b>Gross Weight (kg)</b>	15,01
<b>Net Weight (kg)</b>	11,26
<b>Packaging Dimension (kg)</b>	690 x 575 x 300
<b>0 (kg)</b>	0,119

0

<b>Packaging</b>	Cardboard and polyethylene
<b>0</b>	Space-saving siphon, wastes and hooks.

**KERATEK<sup>®</sup> plus**  
CERAMIC NANOTECHNOLOGY CN6



**LKQ15086BSO** K86  
8031873023973



**LKQ15093BSO** K93  
8031873027445



**LKQ15095BSO** K95  
8031873027469



**LKQ15096BSO** K96  
8031873023966



**LKQ15097BSO** K97  
8031873027483



**LKQ15099BSO** K99  
8031873027506

**GRANITEK<sup>®</sup>**  
NATURAL GRANITE EFFECT

METAL



**LMQ15073BSO** M73  
8031873956349



**LMQ15079BSO** M79  
8032557953012

MATT



**LGQ15040BSO** G40  
8032861044277



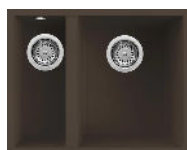
**LGQ15043BSO** G43  
8032861044291



**LGQ15048BSO** G48  
8032557030713



**LGQ15068BSO** G68  
8032861057260



**LGQ15078BSO** G78  
8032557067207

CLASSIC



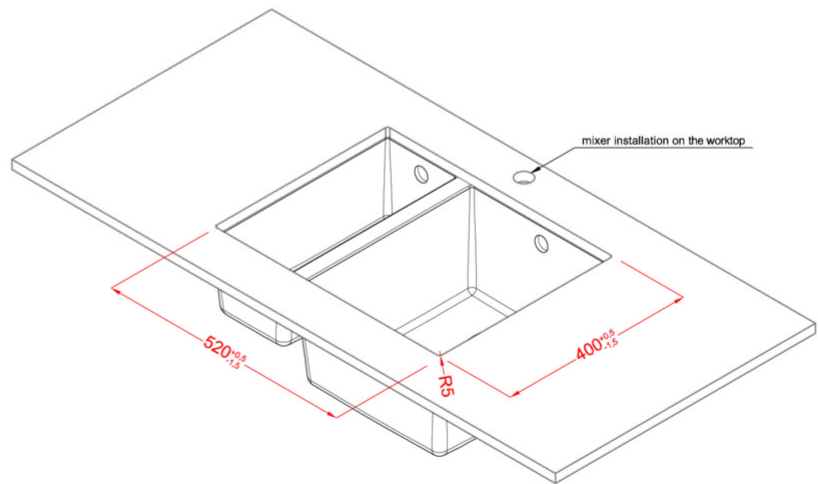
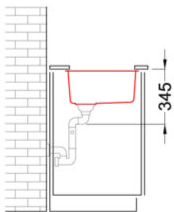
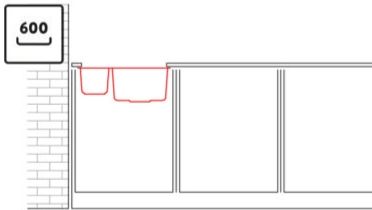
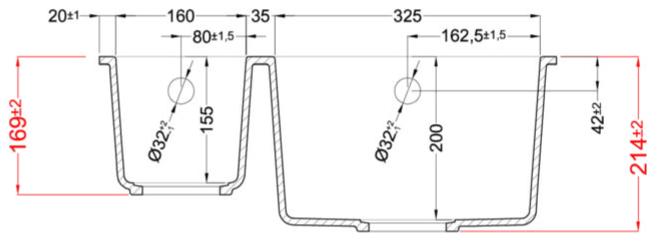
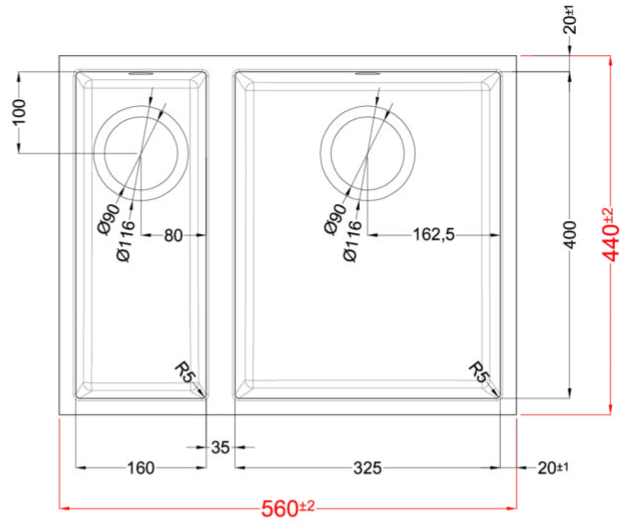
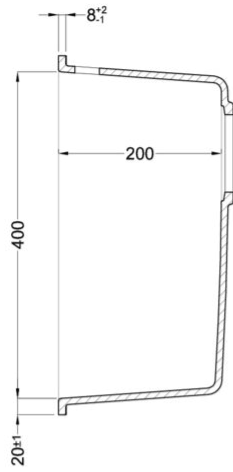
**LGQ15051BSO** G51  
8032861057055



**LGQ15059BSO** G59  
8032861057246



**LGQ15062BSO** G62  
8032861057253



## QUADRA 150 UNDERMOUNT

general tolerances where not expressly communicated  $\pm 0.2\%$   
connection dimensions according to UNI EN 695



