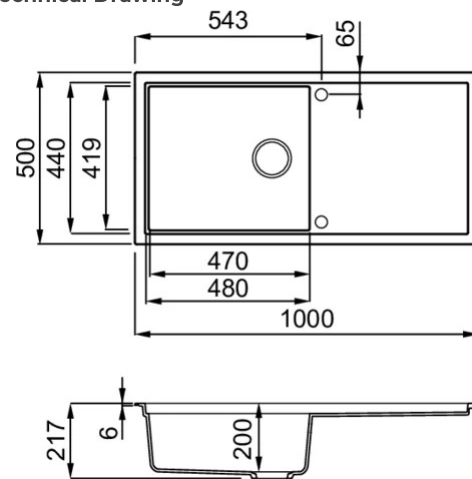


SINTESI 480



Technical Drawing



0

Description

1-bowl sink with drainer *Available with coloured waste: Black Matt, Light Gold, Stainless Steel

Model

SINTESI 480

Base (mm)

If worktop height more than 35 mm base 600
 ||| If worktop height less than 35 mm base 1200
 (Inset) - If worktop height more than 40 mm
 base 600 ||| If worktop height less than 40 mm
 base 1200 (Flushmount)

0

Dimensions (mm)

1000 x 500

Hole for built-in installation (mm)

980 x 480 mm (Inset), as per drawing
 (Flushmount)

Bowl Depth (mm)

200

0

Packaging Dimension (kg)

1080 x 575 x 300

0 (kg)

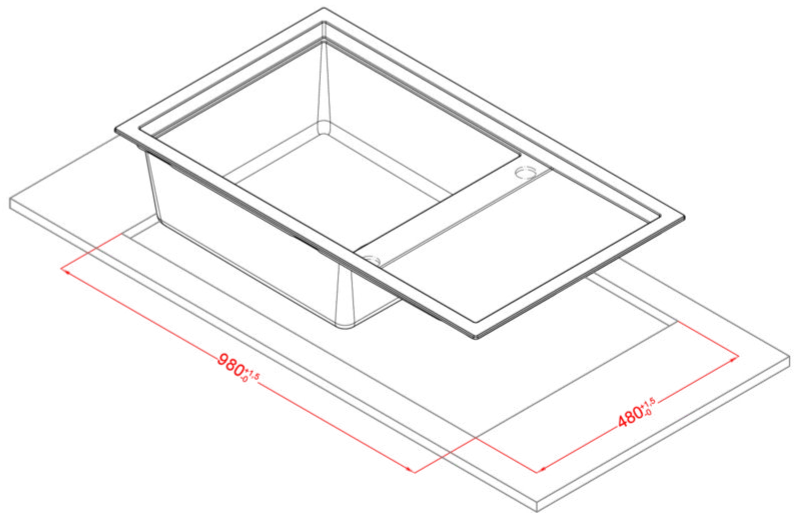
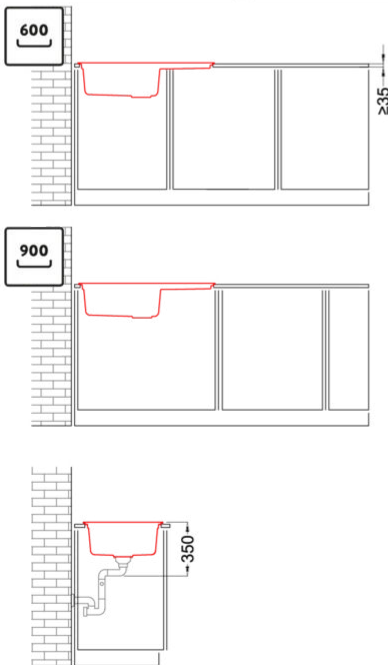
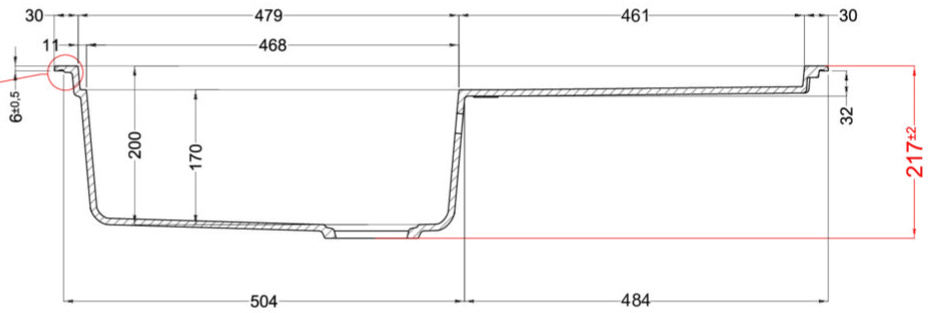
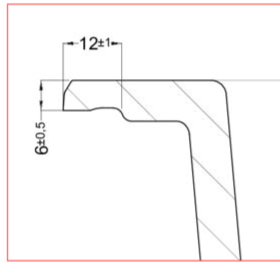
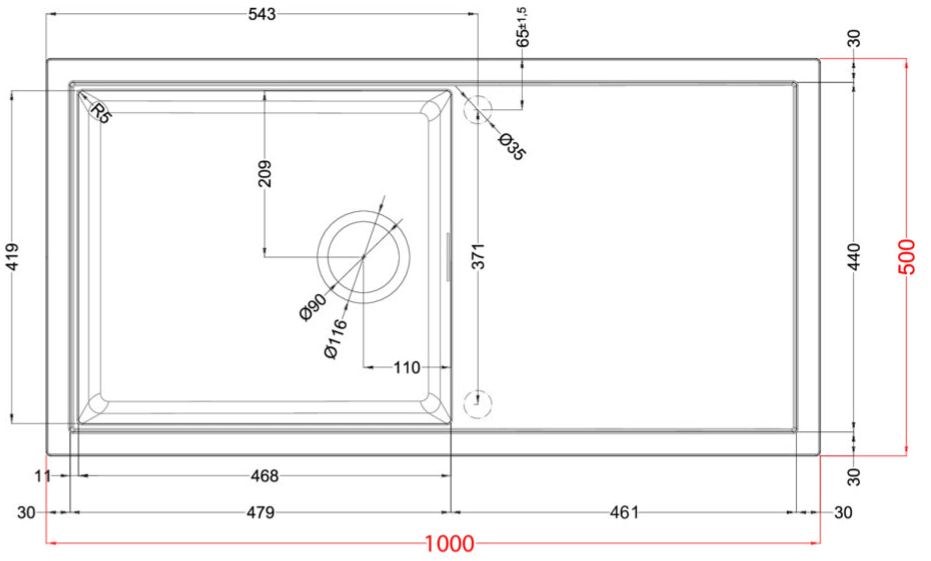
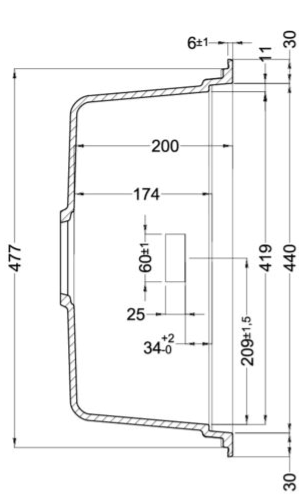
0,186

0

Packaging

Cardboard and polyethylene





SINTESI 480

general tolerances where not expressly communicated $\pm 0.2\%$
 connection dimensions according to UNI EN 695

