

**Series 4, fully-integrated dishwasher,
60 cm
SMV4HVX12E**



SGZ8BI00 Connection rail for divided furniture

Connected dishwasher with noise reduction at any time via the Home Connect App.

- **Extra Dry:** the extra option for stronger drying performance.
- **Hygiene level validated for Eco 50°C and higher levels with Intensive 70°C and Machine Care programmes**
- **Rackmatic:** height-adjustable dishwasher basket for tall items.
- **The extra-quiet way to clean and dry dishes.**
- **Home Connect:** home appliances with smart connectivity for an easier everyday life

| | |
|---|--|
| Energy Efficiency Class (Regulation (EU) 2017/1369): | C |
| Energy Consumption for 100 cycles Eco Programme: | 75 kWh/100 cycles |
| Maximum number of place settings: | 14 |
| The water consumption of the eco programme in liters per cycle: | 9.0 l |
| Programme duration: | 4:55 h |
| Airborne acoustical noise emissions : |46 dB(A) re 1 pW |
| Airborne acoustical noise emission class: |C |
| Cleaning performance: |A |
| Water consumption: |9.0 l |
| Total annual water consumption 220 days: | 1980 l |
| Built-in / Free-standing: | Built-in |
| Removable top: | No |
| Door panel options: | Not possible |
| Height of removable worktop: | 0 mm |
| Height of the appliance: | 815 mm |
| Adjustable feet: | Yes - all from front |
| Maximum adjustability feet: | 60 mm |
| Adjustable plinth: | Both horizontal and vertical |
| Net weight: |33.4 kg |
| Gross weight: | 35.2 kg |
| Connection rating: | 2400 W |
| Fuse protection: |10 A |
| Voltage: | 220-240 V |
| Frequency: | 50; 60 Hz |
| Length electrical supply cord: | 175 cm |
| Plug type: | Gardy plug w/ earthing |
| Length inlet hose: | 165 cm |
| Length outlet hose: | 190 cm |
| Hidden heating element: | Yes |
| Water protection system description: | Triple water protection 24h |
| Child safety devices: |No |
| Water softener: |Yes |
| Top basket type: | Practical loading with Vario Flex basket |
| Adjustable upper basket: | Rackmatic 3-stage |
| Bottom basket type: | low |
| 3rd Rack: |3rd Rack 1.0 |
| Optional accessories: .. | SGZ0BI02, SGZ0CL01, SGZ1010, SGZ8BI00, SMZ1051EU, SMZ2014, SMZ2056, SMZ5000, SMZ5003, SMZ5100, SMZ5300 |
| Included accessories : | Vapor barrier plate |
| Number of place settings: | 14 |
| Dimensions of the packed product (HxWxD): |880x660x670 mm |



Series 4, fully-integrated dishwasher, 60 cm SMV4HVX12E

Connected dishwasher with noise reduction at any time via the Home Connect App.

BOSCH - Header 1

- Energy Efficiency Class¹: C
- Energy² / Water³: 75 kWh / 9 litres
- Capacity: 14 place settings
- Programme duration⁴: 4:55 (h:min)
- Noise level: 46 dB(A) re 1 pW
- Noise Efficiency Class: C
- Noise level (silence programme): 45 dB(A) re 1 pW

BOSCH - Header 2

- 6 programmes: Eco 50 °C, Auto 45-65 °C, Intensive 70 °C, Express 65 °C, Silence 50 °C, Pre-Rinse
- Favourite Program
- 4 special options: Remote Start, Extra Dry, Hygiene+, SpeedPerfect+
- Machine Care
- Add-On functions via Home Connect app: Silence on Demand

BOSCH - Header 3

- Heat exchanger
- AquaSensor
- DosageAssist
- EcoSilence Drive
- Self-cleaning filter system with 3-fold corrugated filter
- Interior tub material: Stainless Steel/Polinox

BOSCH - Header 4

- Vario basket system
- VarioDrawer
- Rackmatic height-adjustable top basket (3 stage)
- Low friction wheels on bottom basket
- Rack Stopper to prevent derailing of bottom basket
- 2 foldable plate racks in bottom basket
- 2 lever (long/short)

BOSCH - Header 5

- Home Connect enabled via WLAN
- Push button top controls
- Panel legend: Plain text (english)
- InfoLight (red)
- Remaining programme time indicator (min)
- Acoustic end of cycle indicator
- Electronic delay timer: 1-24 hours

BOSCH - Header 6

- AquaStop: Bosch warranty in case of water damage – for the lifetime of the appliance.*
- Glass protection technology

BOSCH - Header 7

- Incl. Steam protection plate

BOSCH - Header 8

- Product dimensions (HxWxD): 81.5 x 59.8 x 55 cm

¹ Scale of Energy Efficiency Classes from A to G

² Energy consumption in kWh per 100 cycles (in programme Eco 50 °C)

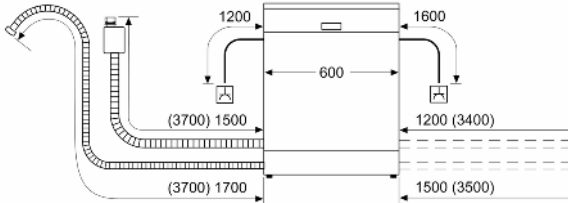
³ Water consumption in litres per cycle (in programme Eco 50 °C)

⁴ Duration of programme Eco 50 °C

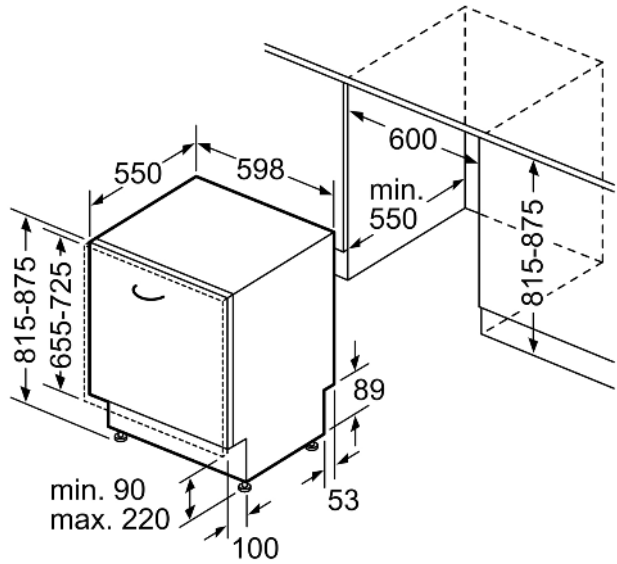
* Please find warranty terms under [please insert here the local URL (internet address, e.g. <https://www.bosch-home.com/> but with the direct page with the warranty terms)

**Series 4, fully-integrated dishwasher,
60 cm
SMV4HVX12E**

measurements in mm



⊕ socket
() values with extension kit



measurements in mm