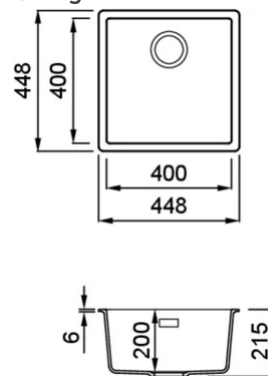


ZEN-F 102



Technical Drawing



0

Description	1-bowl sink
Model	ZEN-F 102
Base (mm)	500
0	Flushmount
Dimensions (mm)	448 x 448
Hole for built-in installation (mm)	as per drawing
Bowl Depth (mm)	200



0

Packaging Dimension (kg)	575 x 575 x 300
0 (kg)	0,099

0

Packaging	Cardboard and polyethylene
0	

KERATEK[®] plus
CERAMIC NANOTECHNOLOGY CN6



LKZ10286F01 K86
8032557029847



LKZ10293F01 K93
8032861022794



LKZ10295F01 K95
8032861022800



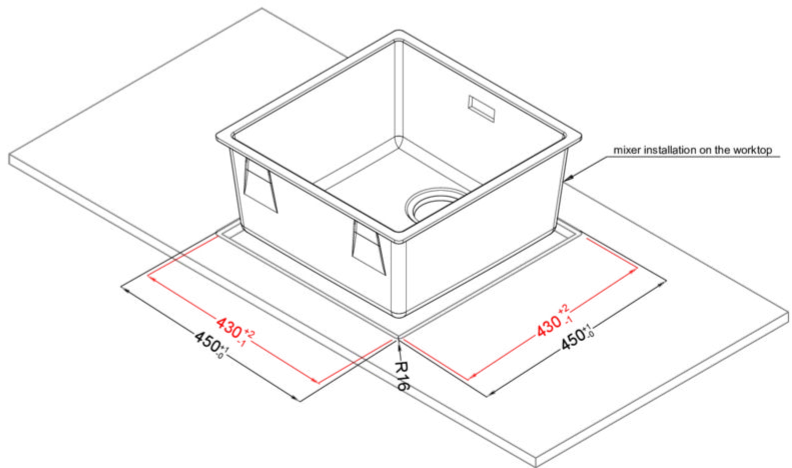
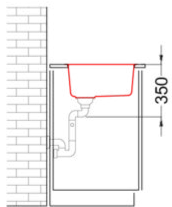
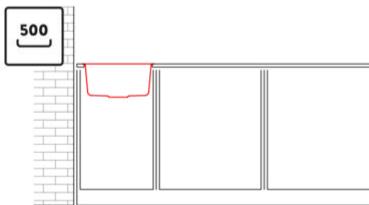
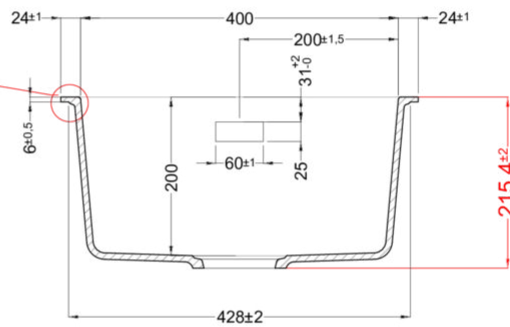
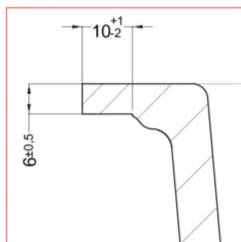
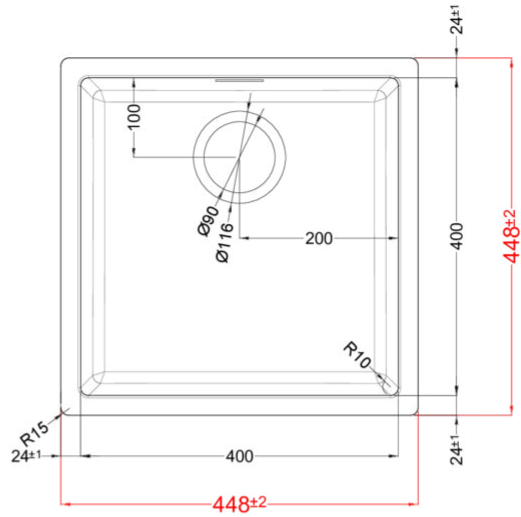
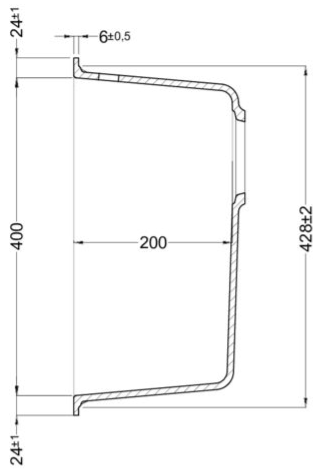
LKZ10296F01 K96
8032557029854



LKZ10297F01 K97
8032557029861



LKZ10299F01 K99
8032861022817



ZEN 102 F01 FLUSHMOUNT

general tolerances where not expressly communicated $\pm 0.2\%$
connection dimensions according to UNI EN 695

