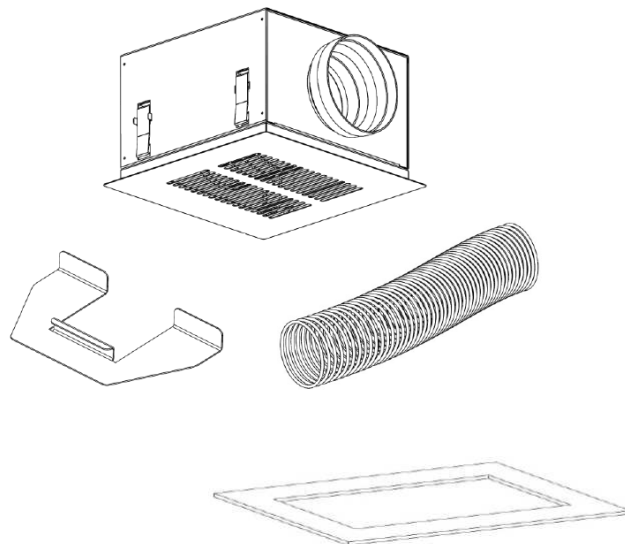


freca_{IR}

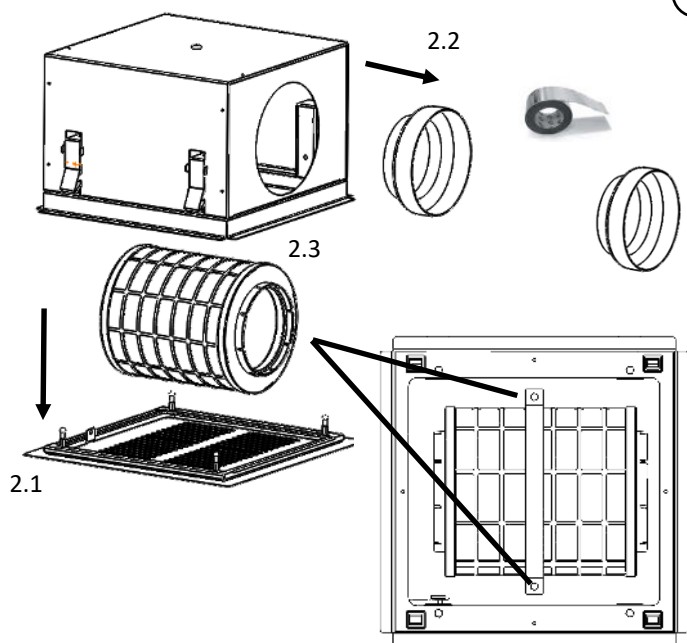
PLASMA C600 + CAJON

1

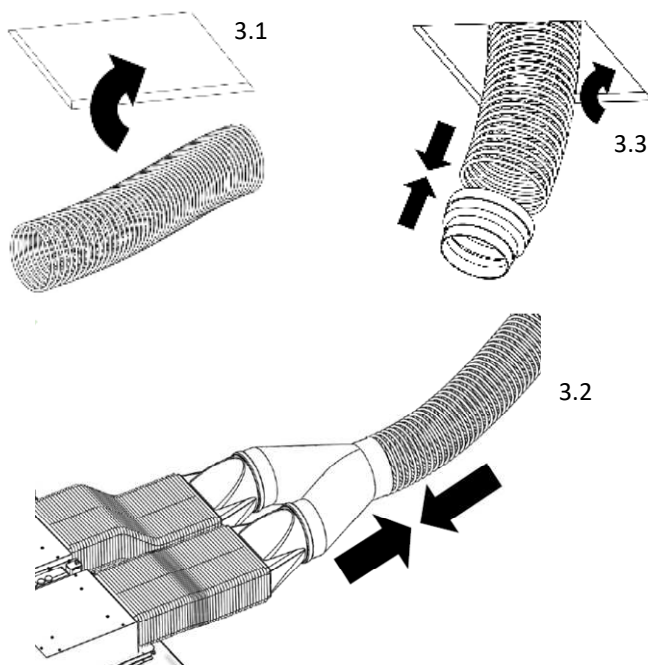


Cut out = 320 x 320

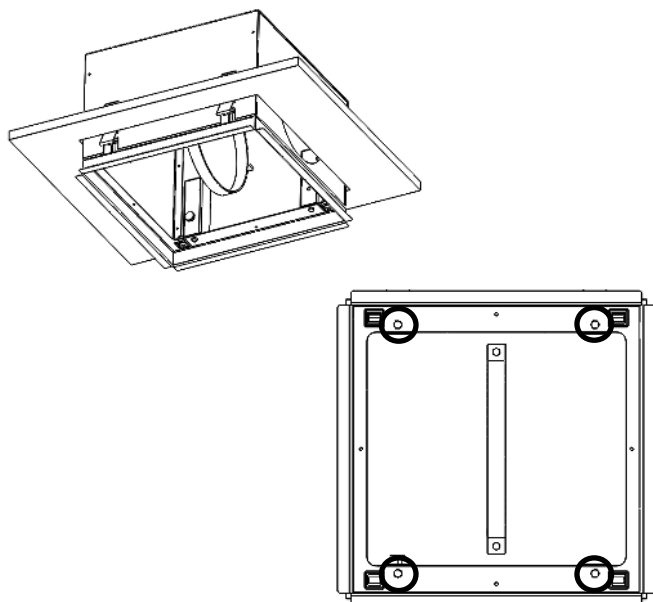
2



3



4



5

