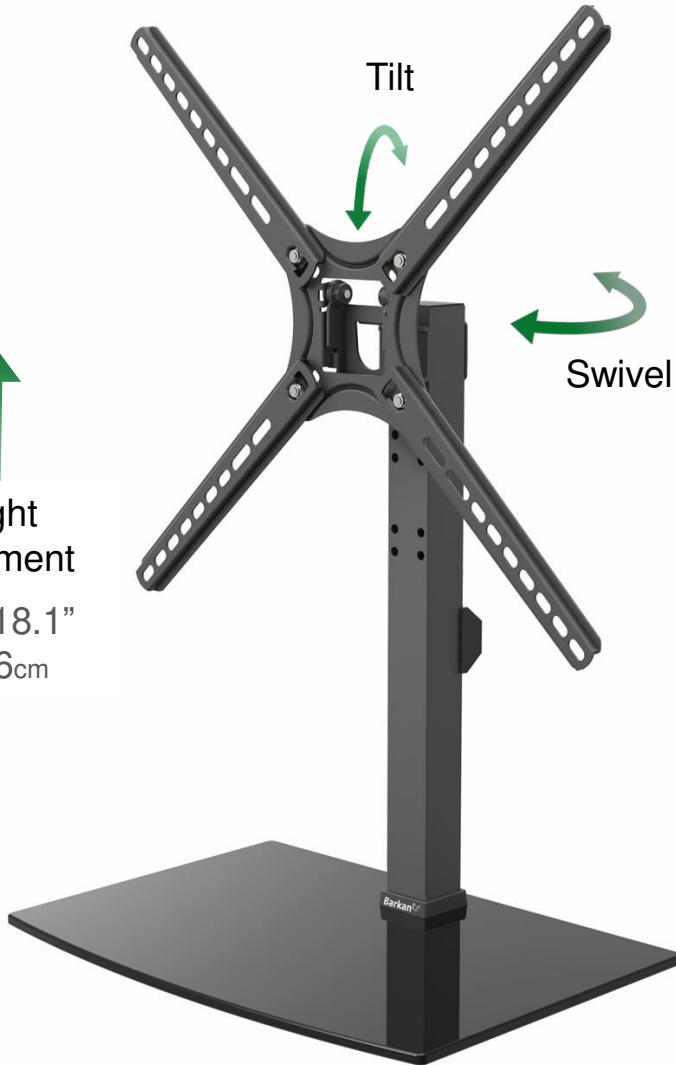


Tabletop Stand TV & Monitor Mount



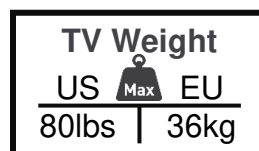
Download Assembly Instructions with Text

Warning! Ignoring the safety and assembly instructions may result in **SERIOUS OR FATAL INJURIES** from tip over or the falling of the product and the electrical appliances. Opening the package represents your undertaking to closely read and follow the instructions. This product is not intended for use in public places. **For Safety Instructions, warranty and further information, go to: www.barkanmounts.com > Support > Safety Instructions & Warranty**

For more information: barkanmounts.com

If you are satisfied with the product, please give us a 5 stars ☆☆☆☆☆ rating on the website you bought it from. If you are not satisfied please contact us at <https://www.barkanmounts.com/support> and we will solve the problem for you.

S320-MAN-ONL-2304

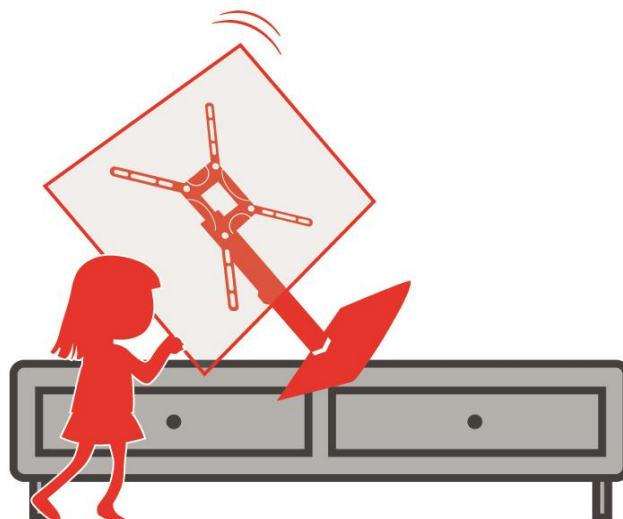


Safety instructions and installation warnings (provided separately) must be read in full, prior to assembly.

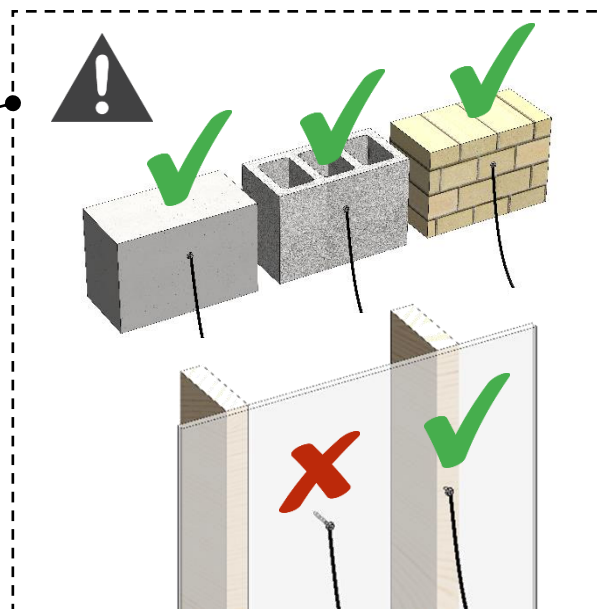
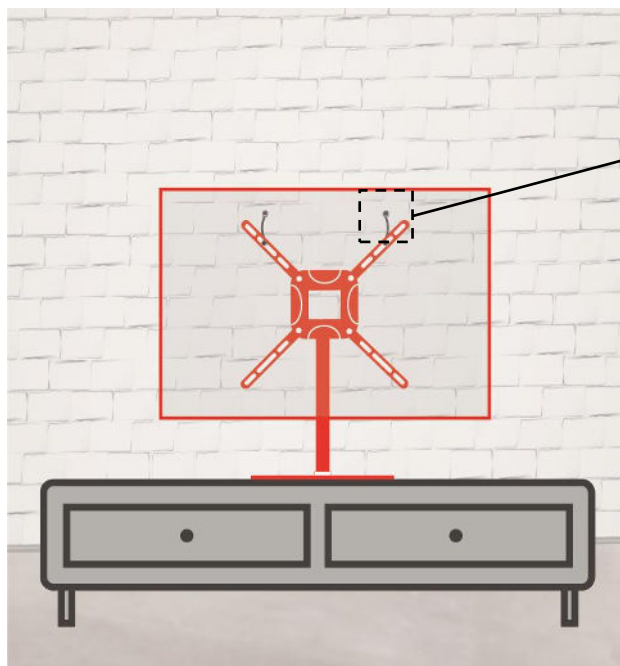
Warnings!

Tip Over Hazard!

Keep children under the age of 15 away from the product



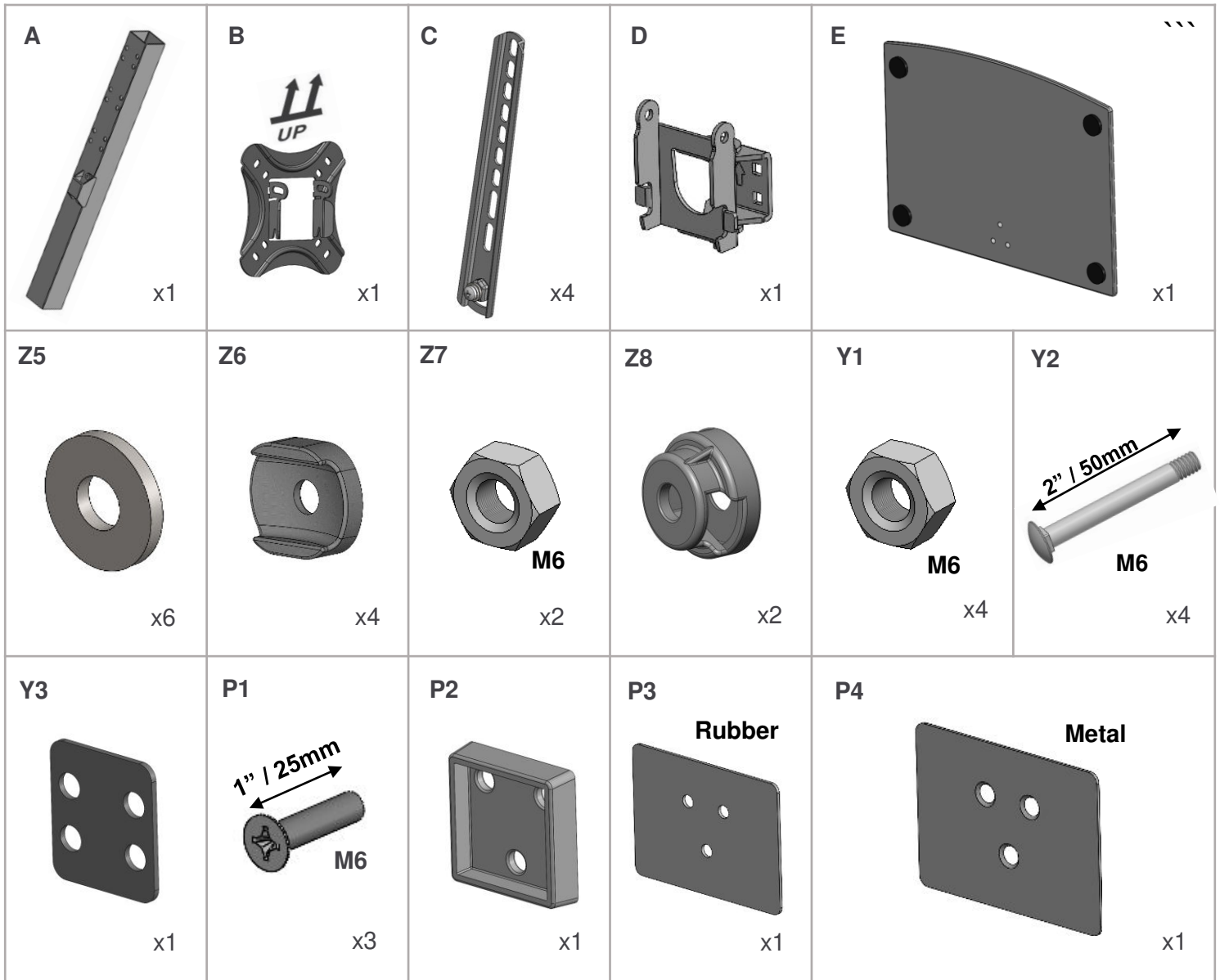
Anchor to the Wall- using 2 strong cables



Collision Hazard-

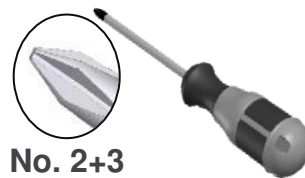
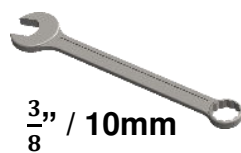
place the product in a position that will prevent people from colliding with it

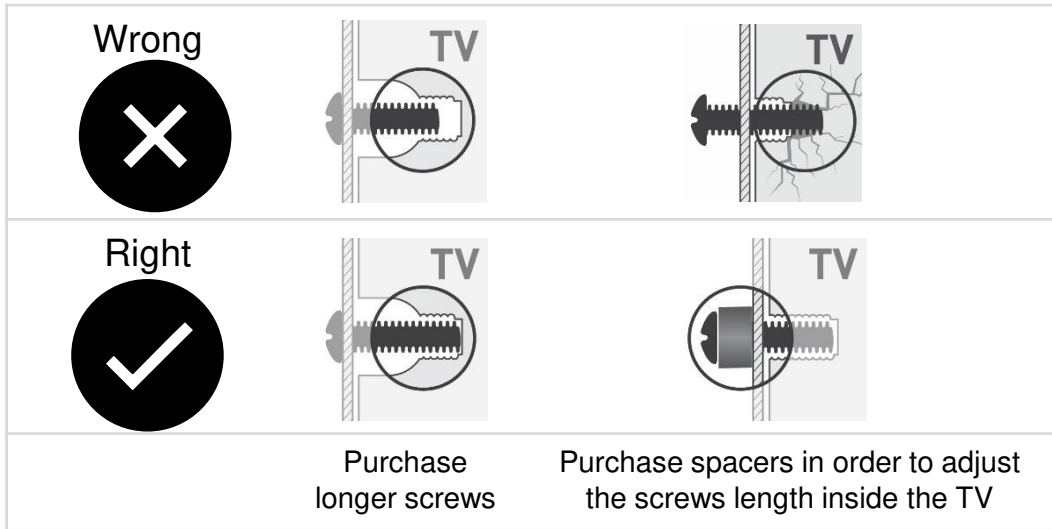




	#	M	L mm	L inch	pcs
	Z1	4	16	5/8	4
	Z2	6	16	5/8	6
	Z3	8	20	3/4	4
	Z4	8	45	1 3/4	4

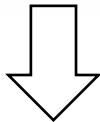
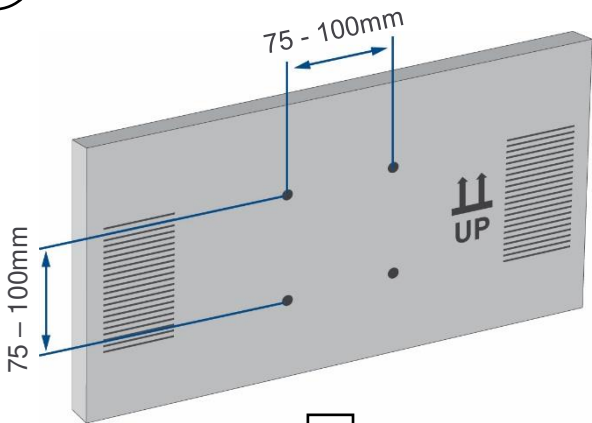
Required Tools:



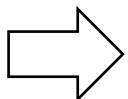
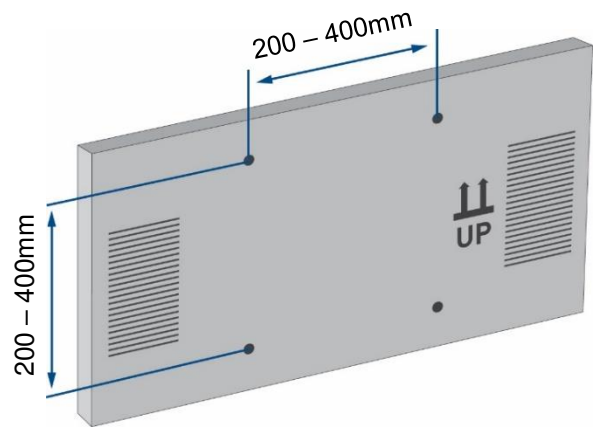


1

Continue according to your TV mounting hole pattern



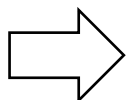
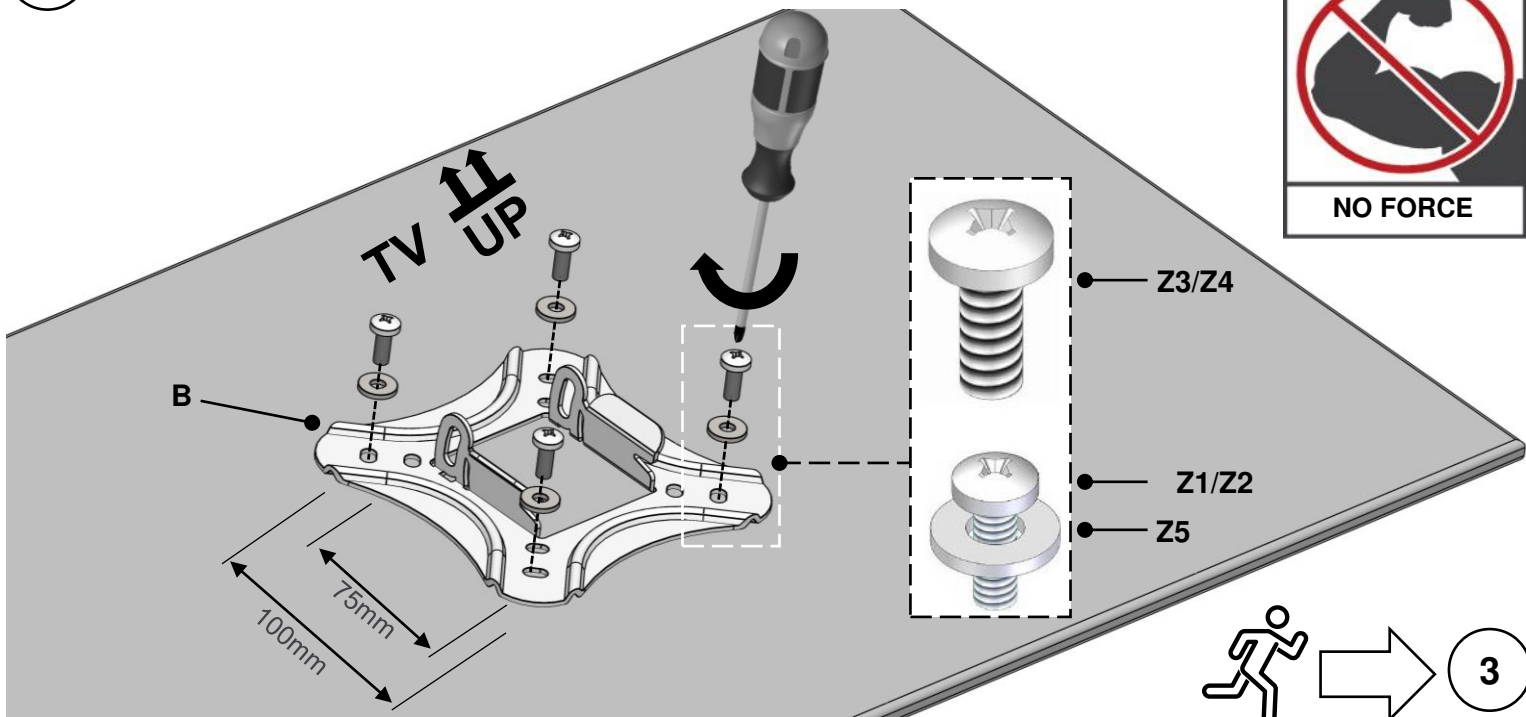
1a



1b

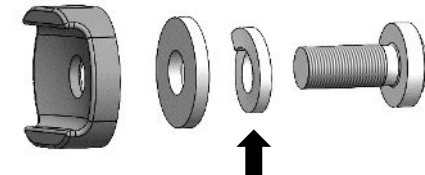
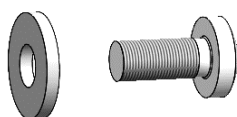
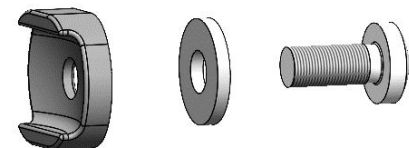
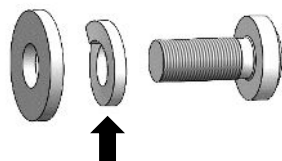
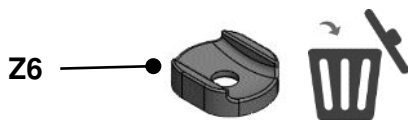
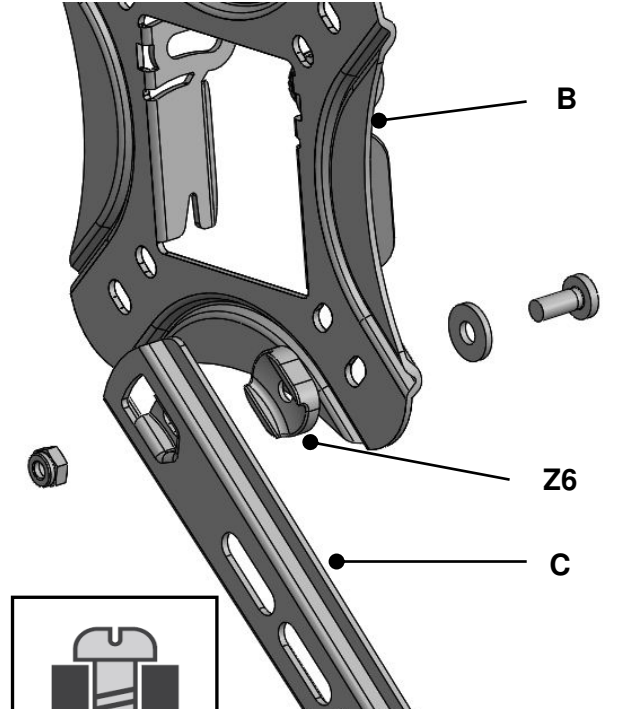
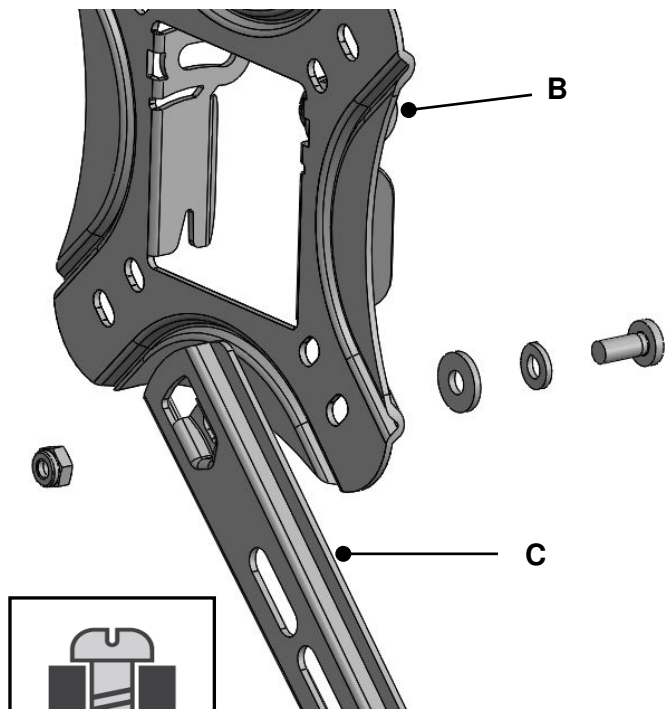
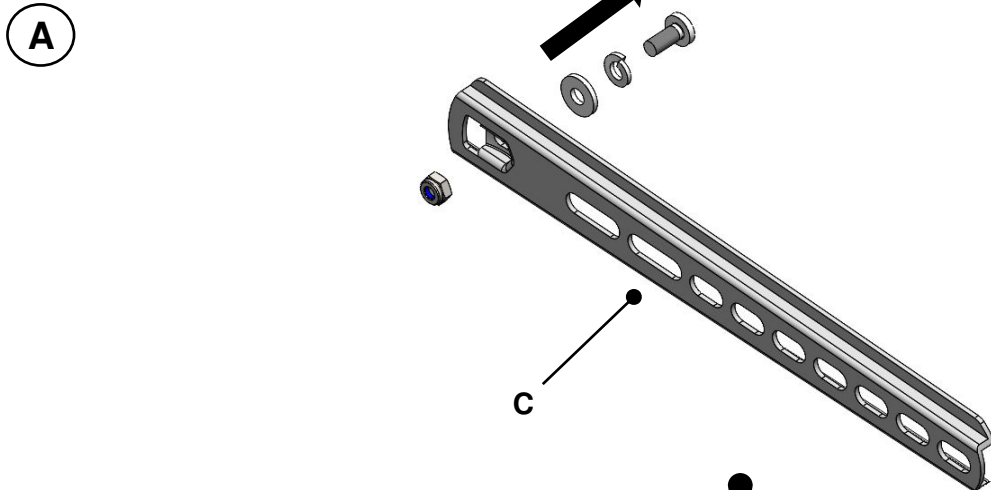
1a

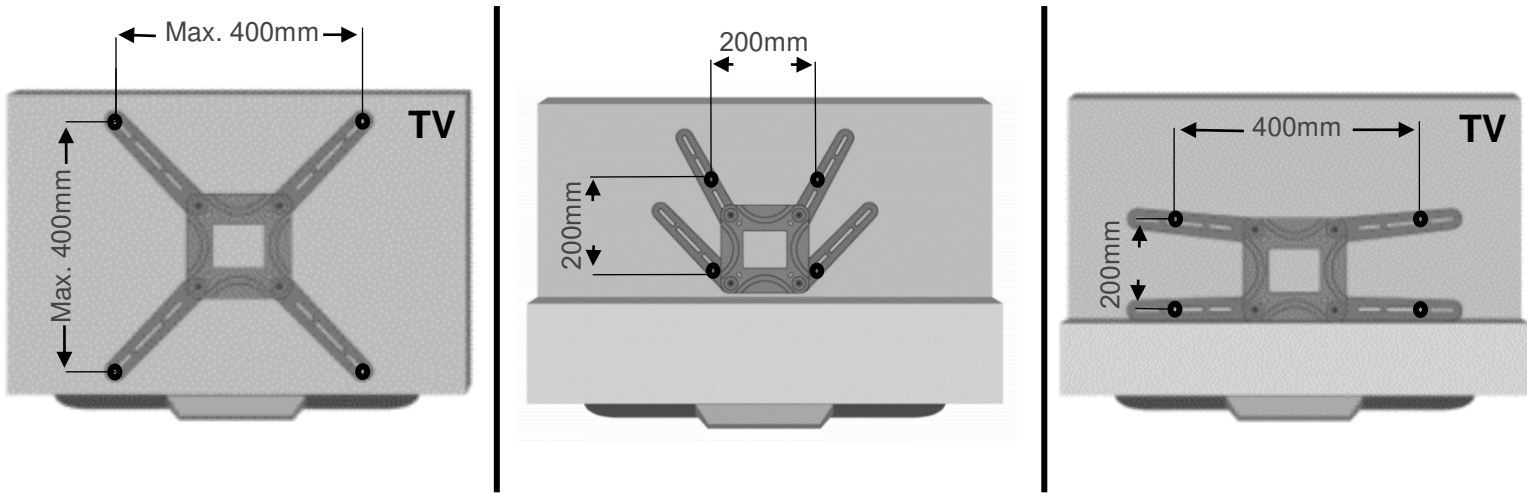
75x75 mm – 100X100 mm hole pattern



3

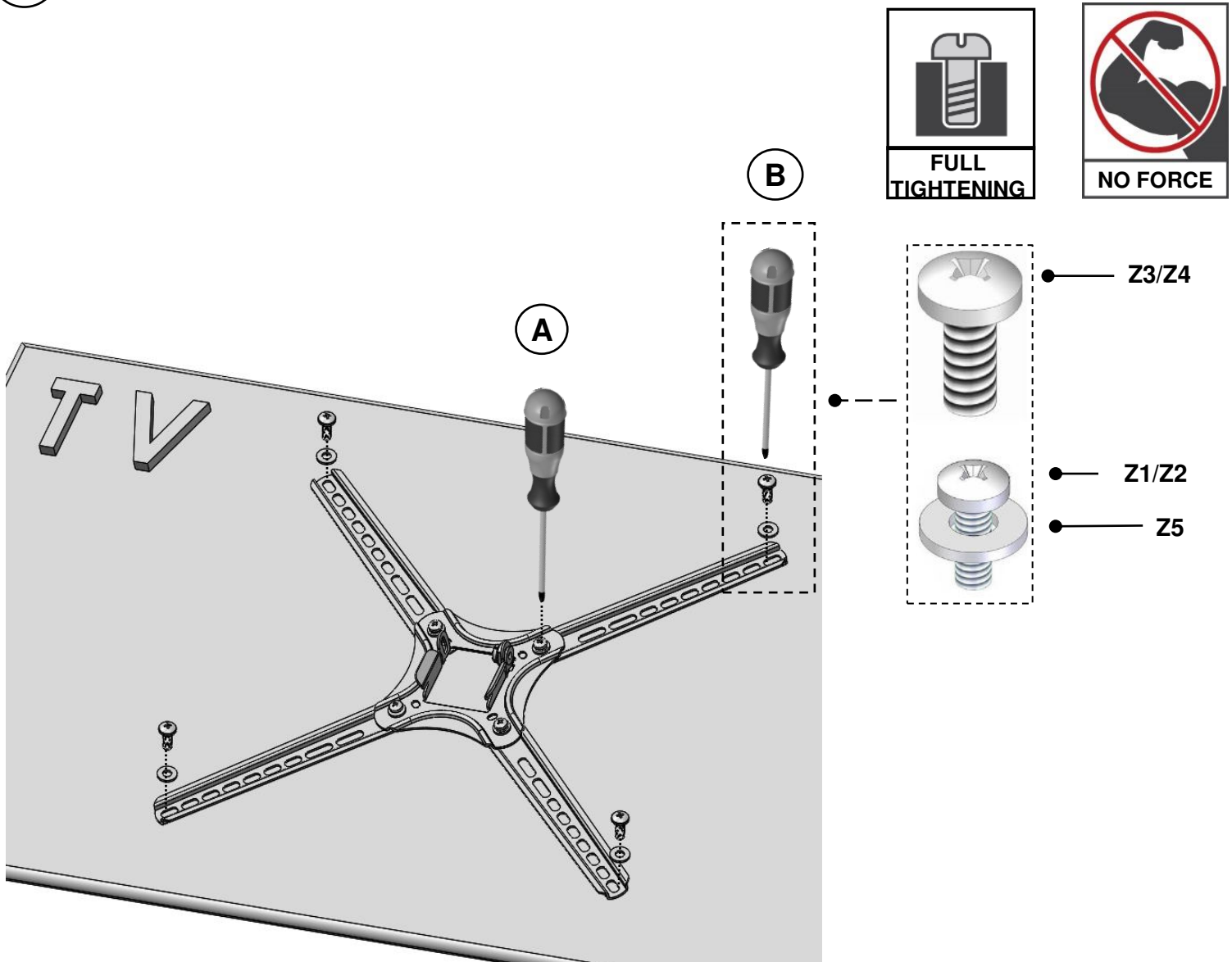
1b Hole pattern 100x200 mm up to 400x400 mm:
 Disassemble the screws, connect the 4 adaptors to the TV plate and reassemble the screws.



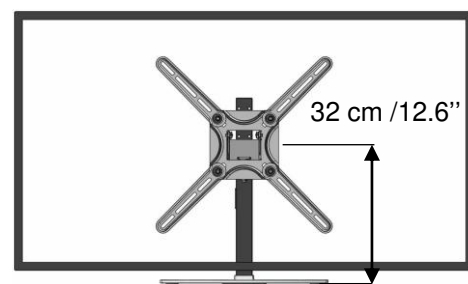
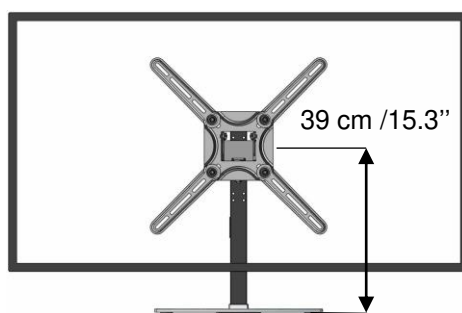
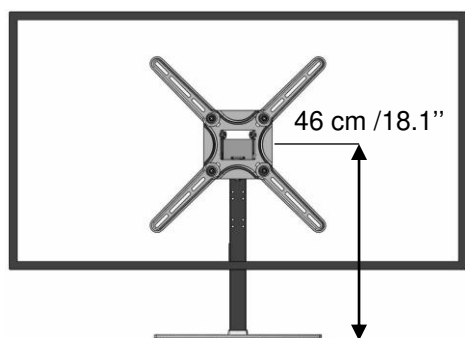
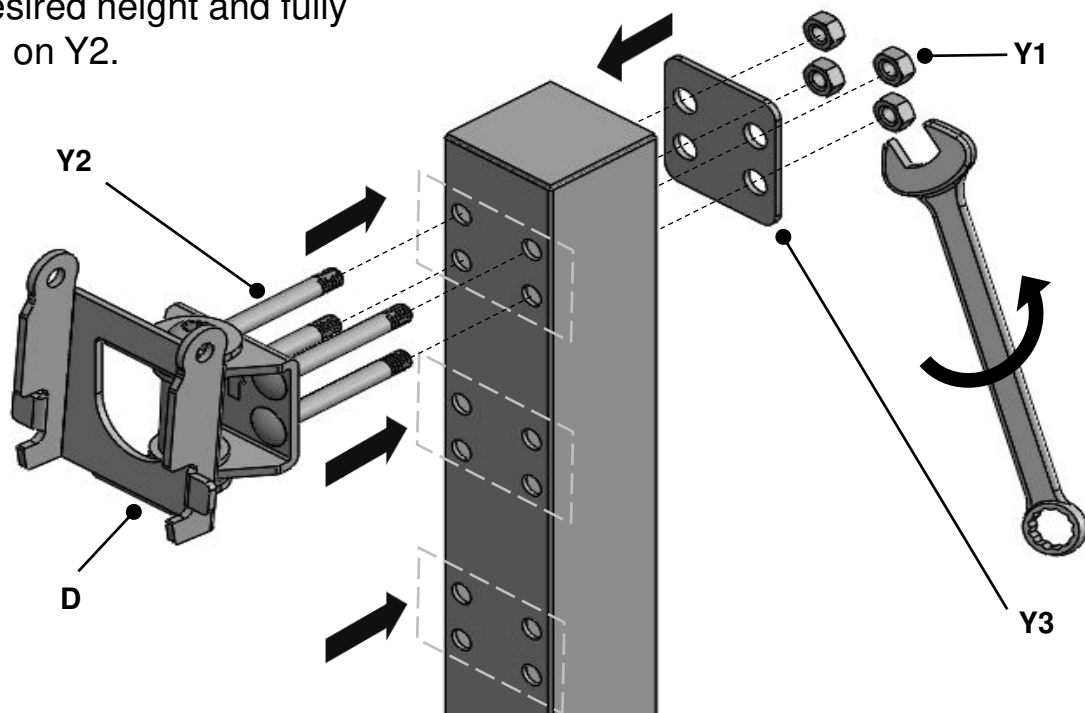
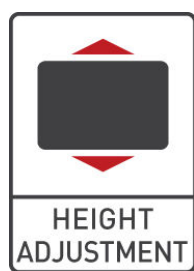


For more positioning options turn to last page

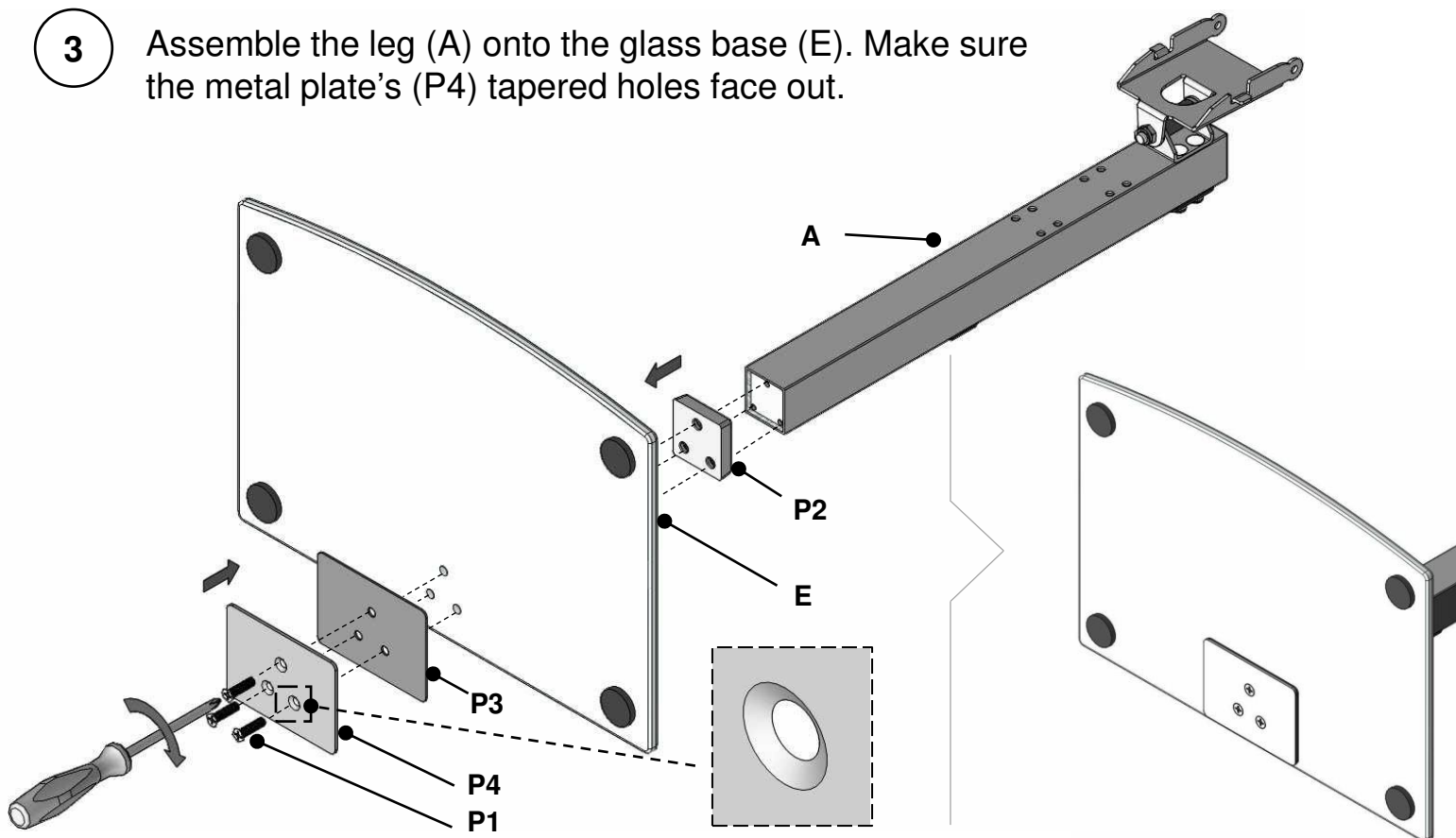
1C Connect the TV plate with the adaptors to the TV in all 4 connection holes



- 2** Set the desired height and fully tighten Y1 on Y2.

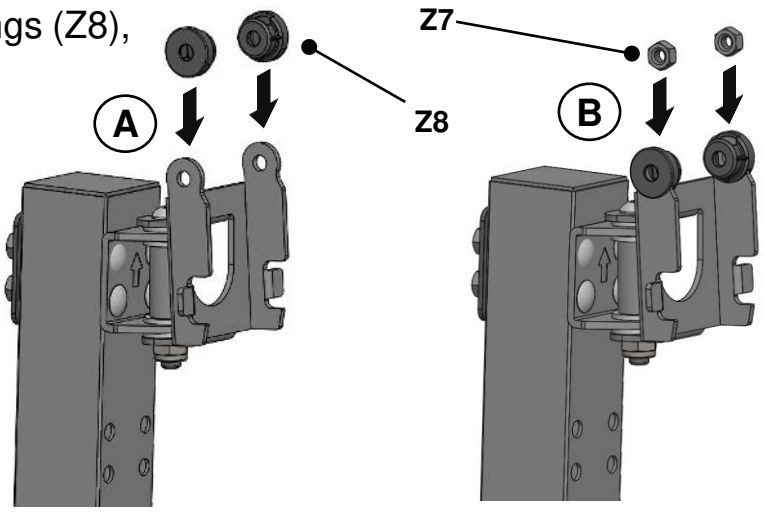


- 3** Assemble the leg (A) onto the glass base (E). Make sure the metal plate's (P4) tapered holes face out.



4

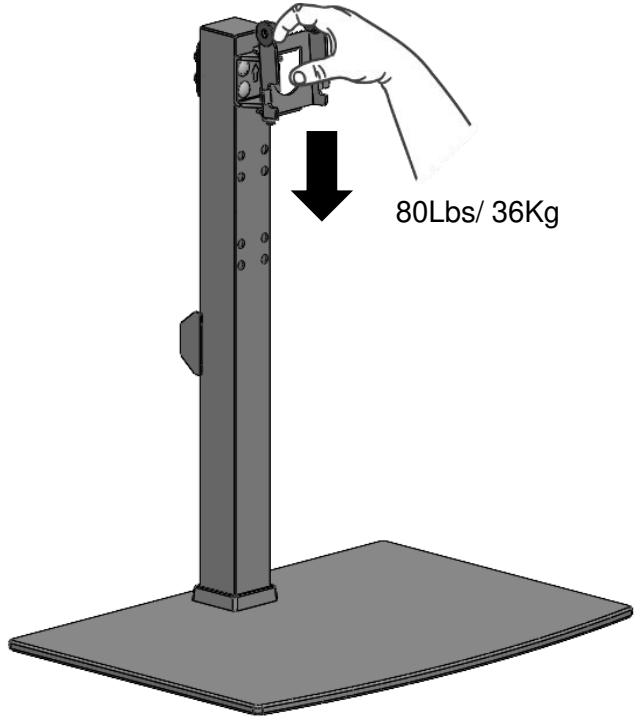
Connect the plastic nuts-housings (Z8), and then insert the nut (Z7).



5

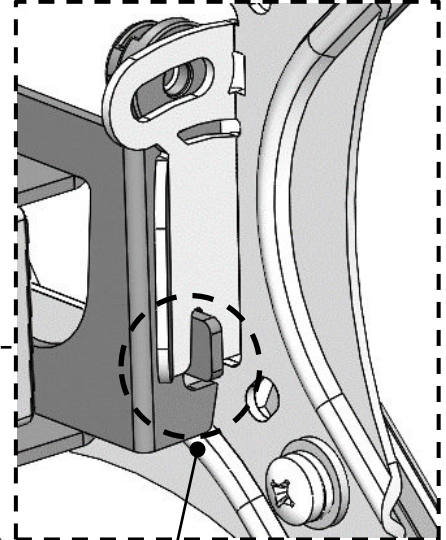
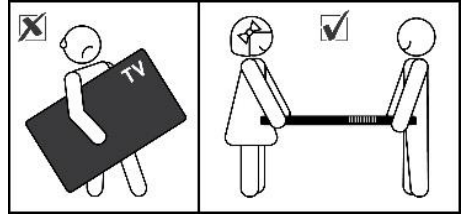
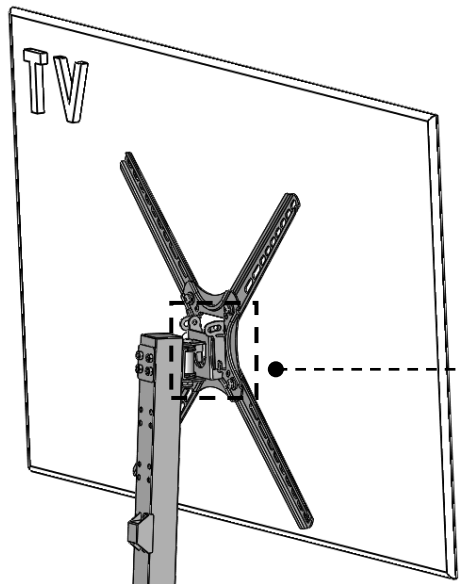
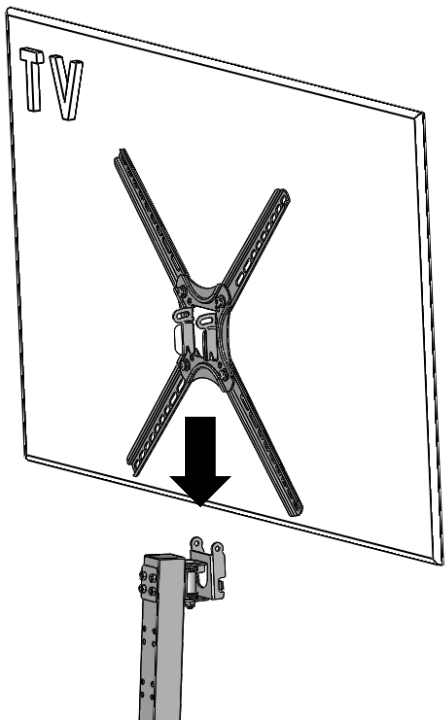
Weight test

Apply force on the upper part of the product and make sure it is secure.



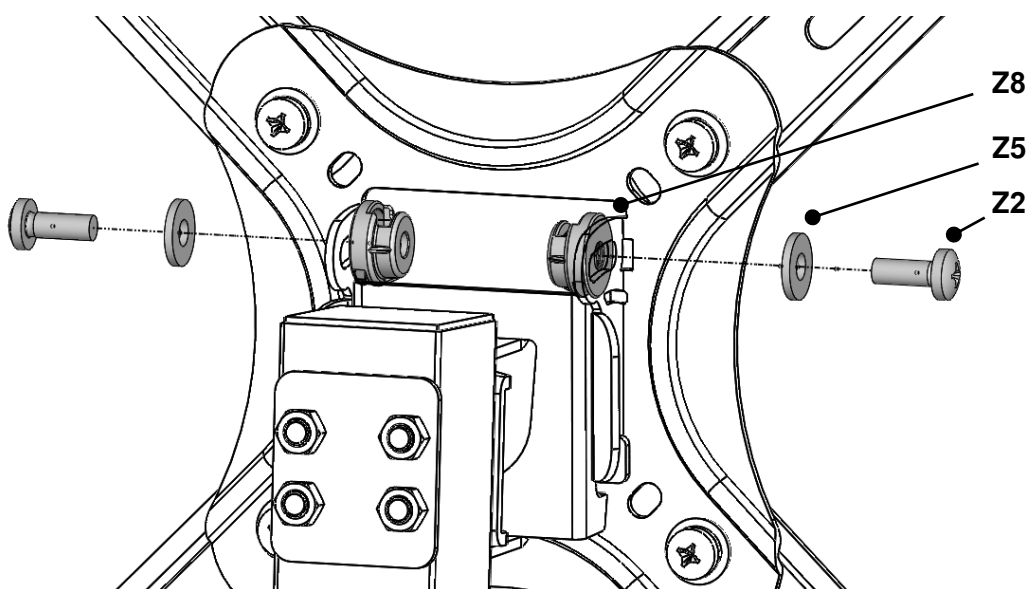
6

Connect the TV with the TV plate to the bracket

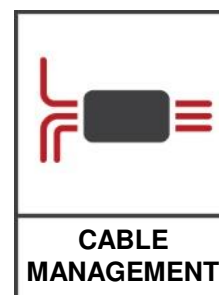
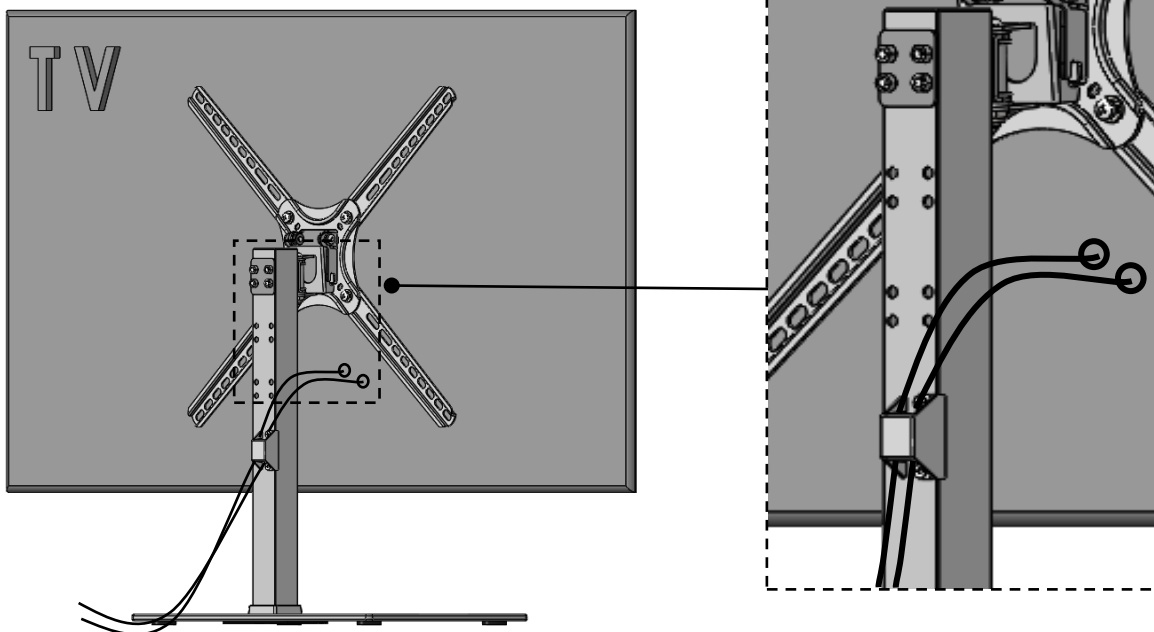


Make sure that the TV Plate slots are positioned properly

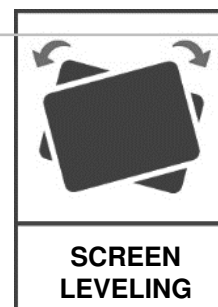
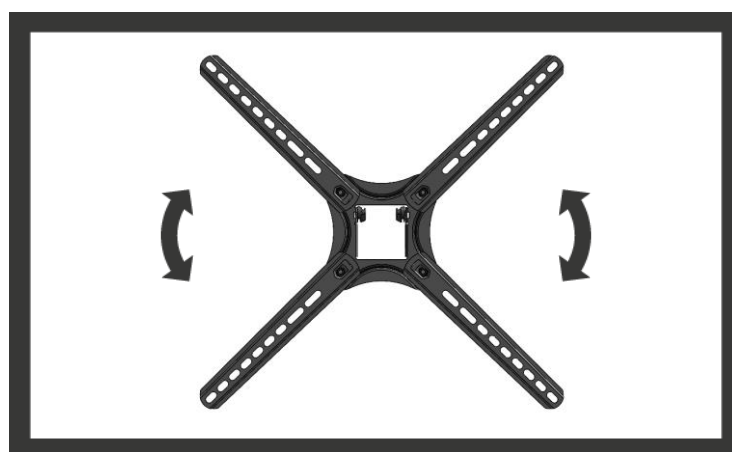
7 Insert and tighten the screws from both sides to create friction for the tilt mechanism. Adjust the TV tilt angle carefully.



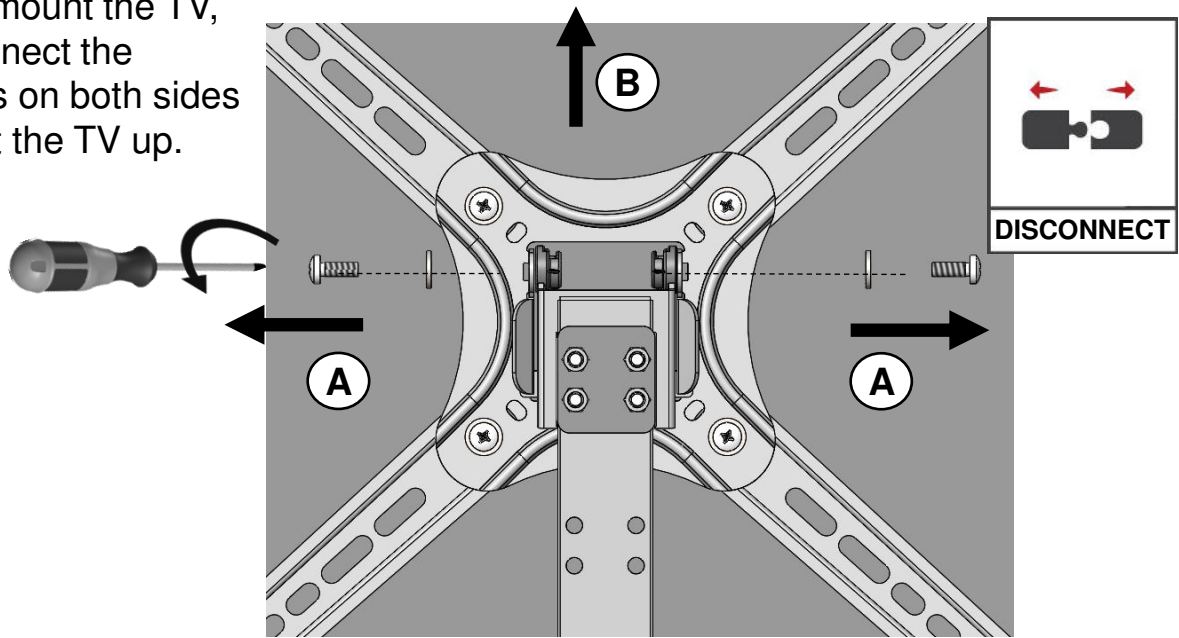
8 Pass the cables through the cable management sleeve.



9 Level the TV.



10 To dismantle the TV, disconnect the screws on both sides and lift the TV up.



BACKSCREEN CONNECTION POSITIONING OPTIONS

<p>1 75x75, 100x100</p>	<p>2 200x100</p>	<p>3 300x200, 400x200, 400x300</p>
<p>4 200x200, 300x300</p>	<p>5 200x200, 300x300</p>	<p>6 100x200</p>
<p>7 200x200, 300x300, 300x400, 400x400</p>	<p>8 300x200, 400x200, 400x300</p>	<p>www.barkanmounts.com/FAQ</p>