

Steatite

ACCURATE CONTROLS, LONG-LASTING WATER HEATER WITH STEATITE TECHNOLOGY

Models 50 to 100 (vertical wall-mounted and horizontal)



BENEFITS

- Steatite heating element protected by a enamelled sleeve for limited scaling and easy maintenance
- New waterdrop LED heating indicator
- Energy savings: Eco+ mode, Absence mode
- Easy maintenance: no need to drain the tank



Steatite
TECHNOLOGY

+ EASY PROGRAMMING WITH DIGITAL CONTROL PANEL



NEW CONTROL KNOB WITH WATERDROP HEATING LIGHT INDICATOR



Easy-to-use:

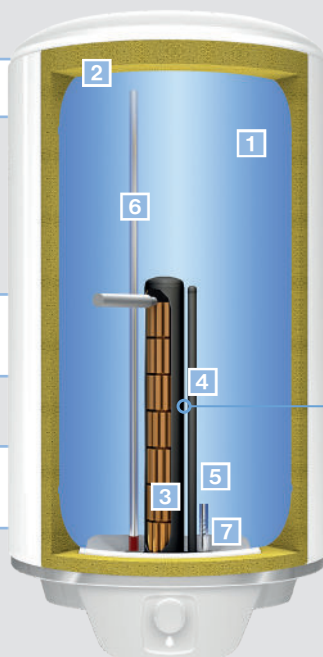
New waterdrop led heating indicator and control knob with eco and absence modes for more energy savings.

Steatite

Models 50 to 100 (vertical wall-mounted and horizontal)

+ RELIABLE QUALITY WITH DIAMOND-QUALITY ENAMEL

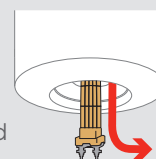
- 1 High quality enamel
- 2 High density insulated foam (free of CFC)
- 3 Steatite heating element & thermostat sleeve
- 4 Bulb thermostat with eco position
- 5 Magnesium anode
- 6 Optimized stainless steel outlet pipe
- 7 Optimized Inlet diffuser



Steatite
TECHNOLOGY

DRY STEATITE HEATING ELEMENT

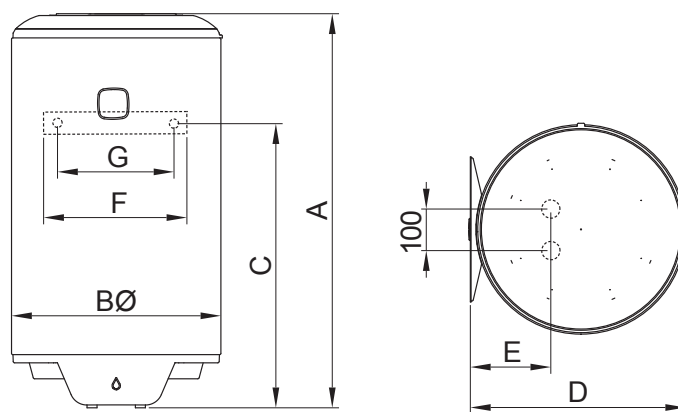
Adapted to aggressive, highly mineralised and desalinated water. Its protective enamelled steel sleeve makes maintenance easy, and no need to drain the tank to replace it.



+ MULTI-POSITION INSTALLATION

Installation dimensions

Model	Dimensions (mm)							Net weight (kg)
	A	B	C	D	E	F	G	
50	607	433	395	450	158	300	240	15,2
80	806	433	605	450	158	300	240	19,7
100	1008	433	747	450	158	300	240	23,5



Technical data

Model	Output (W)	Voltage (V)	GPR (kWh/24)	V40 (L)	Heating time	Profile	Erp energy class
50	1500	220-240	1,01	81	1h22	M	C
80	1500	220-240	1,35	124	2h03	M	C
100	1500	220-240	1,63	174	1h45	L	C