

**Series 6, fully-integrated dishwasher,
60 cm, Variable hinge for special
installation situations
SMH6ZCX24E**



SGZ8BI00 Connection rail for divided furniture

**PerfectDry dishwashers with an intensive
cleaning zone in the upper basket even for
kitchens with low plinth heights and high
built in.**

- **PerfectDry:** 2x better drying results on plastics with PerfectDry dishwashers*.
- **Max Flex baskets:** flexible and stable loading for your dishes, with superior sliding performance.
- **Home Connect:** home appliances with smart connectivity for an easier everyday life
- **Extra Clean Zone:** extra cleaning for items in your top basket.
- **Programme Download:** download additional programmes via the Home Connect App that fit your everyday life.

Energy Efficiency Class (Regulation (EU) 2017/1369): B
 Energy Consumption for 100 cycles Eco Programme: 65 kWh/100 cycles
 Maximum number of place settings: 14
 The water consumption of the eco programme in liters per cycle: 9.0 l
 Programme duration: 3:35 h
 Airborne acoustical noise emissions : 40 dB(A) re 1 pW
 Airborne acoustical noise emission class: B
 Cleaning performance: A
 Water consumption: 9.0 l
 Total annual water consumption 220 days: 1980 l
 Built-in / Free-standing: Built-in
 Removable top: No
 Door panel options: Not possible
 Height of removable worktop: 0 mm
 Height of the appliance: 815 mm
 Adjustable feet: Yes - all from front
 Maximum adjustability feet: 60 mm
 Adjustable plinth: Both horizontal and vertical
 Net weight: 46.3 kg
 Gross weight: 48.5 kg
 Connection rating: 2400 W
 Fuse protection: 10 A
 Voltage: 220-240 V
 Frequency: 50; 60 Hz
 Length electrical supply cord: 175 cm
 Plug type: GARDY plug w/ earthing
 Length inlet hose: 165 cm
 Length outlet hose: 190 cm
 Hidden heating element: Yes
 Water protection system description: Triple water protection 24h
 Child safety devices: No
 Water softener: Yes
 Top basket type: High flexibility with Max Flex Pro basket
 Adjustable upper basket: Rackmatic 3-stage
 Bottom basket type: R3
 3rd Rack: 3rd Rack 1.0
 Optional accessories: ... SGZ0BI01, SGZ0CL01, SGZ0IC00, SGZ1010, SGZ6BH00, SGZ8BI00, SGZ8BI01, SMZ1051EU, SMZ2014, SMZ5000, SMZ5035, SMZ5100, SMZ5300
 Included accessories : Vapor barrier plate
 Number of place settings: 14
 Dimensions of the packed product (HxWxD): 880x660x670 mm



Series 6, fully-integrated dishwasher, 60 cm, Variable hinge for special installation situations SMH6ZCX24E

PerfectDry dishwashers with an intensive cleaning zone in the upper basket even for kitchens with low plinth heights and high built in.

BOSCH - Header 1

- Energy Efficiency Class¹: B
- Energy² / Water³: 65 kWh / 9 litres
- Capacity: 14 place settings
- Programme duration⁴: 3:35 (h:min)
- Noise level: 40 dB(A) re 1 pW
- Noise Efficiency Class: B
- Noise level (silence programme): 39 dB(A) re 1 pW

BOSCH - Header 2

- 7 programmes: Eco 50 °C, Auto 45-65 °C, Intensive 70 °C, Express 60 °C, Express 45 °C, Silence 50 °C, Favourite
- Favourite Program
- 4 special options: Remote Start, Extra Dry, Intensive Zone, SpeedPerfect+
- Machine Care
- Add-On functions via Home Connect app: HygienePlus, Silence on Demand

BOSCH - Header 3

- Zeolite-Drying
- Heat exchanger
- AquaSensor
- DosageAssist
- EcoSilence Drive
- Self-cleaning filter system with 3-fold corrugated filter
- Interior tub material: Stainless Steel

BOSCH - Header 4

- Max Flex Baskets with red coloured touchpoints
- Extra Clean Zone
- VarioDrawer
- Rackmatic height-adjustable top basket (3 stage)
- Easy Slide pullout system on upper rack
- Low friction wheels on bottom basket
- Colored anti-slip protection strips in upper rack
- Rack Stopper to prevent derailing of bottom basket
- 2 foldable plate racks in top basket
- 6 foldable plate racks in bottom basket
- 2 cup shelves with soft silicone front part in top basket
- 2 cup shelves in bottom basket

BOSCH - Header 5

- Home Connect enabled via WLAN
- Touch Control (metallic)
- Push button top controls
- Panel legend: Plain text (english)

- Status Light
- Remaining programme time indicator (min)
- Acoustic end of cycle indicator
- Electronic delay timer: 1-24 hours

BOSCH - Header 6

- AquaStop: Bosch warranty in case of water damage – for the lifetime of the appliance.*
- with VarioHinge
- Glass protection technology

BOSCH - Header 7

- incl. salt filling funnel
- Incl. Steam protection plate

BOSCH - Header 8

- Product dimensions (HxWxD): 81.5 x 59.8 x 55 cm

¹ Scale of Energy Efficiency Classes from A to G

² Energy consumption in kWh per 100 cycles (in programme Eco 50 °C)

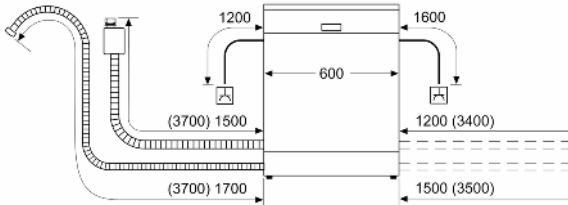
³ Water consumption in litres per cycle (in programme Eco 50 °C)

⁴ Duration of programme Eco 50 °C

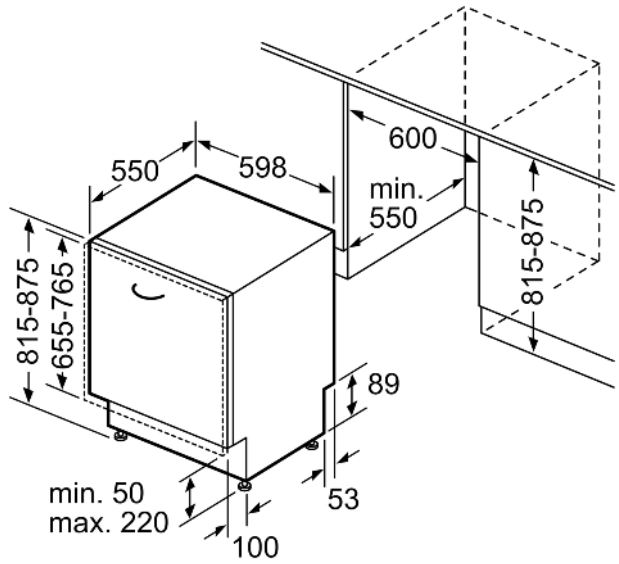
* Please find warranty terms under [please insert here the local URL (internet address, e.g. <https://www.bosch-home.com/> but with the direct page with the warranty terms)

**Series 6, fully-integrated dishwasher,
60 cm, Variable hinge for special
installation situations
SMH6ZCX24E**

measurements in mm



⊕ socket
() values with extension kit



measurements in mm