

Series 4, fully-integrated dishwasher, 60 cm SMV4HCX07E



Easy loading of your dishes and manage your dishwasher via the Home Connect app.

- **ExtraDry:** the extra option for stronger drying performance.
- **Hygiene level validated for Eco 50°C and higher levels with Intensive 70°C and Machine Care programmes⁵**
- **Flex baskets:** flexible and practical solution for easy loading.
- **Silence Plus:** The remarkably quiet 42 dB dishwasher.
- **Home Connect:** home appliances with smart connectivity for an easier everyday life

Technical Data

Energy Efficiency Class (Regulation (EU) 2017/1369) ¹ : C
Energy Consumption for 100 cycles Eco Programme ² : 75 kWh
Maximum number of place settings: 14
The water consumption of the eco programme in liters per cycle ³ :	9.0 l
Programme duration ⁴ : 4:55 h
Airborne acoustical noise emissions :42 dB(A) re 1pW
Airborne acoustical noise emission class:B
Cleaning performance:A
Water consumption:9.0 l
Total annual water consumption 220 days: 1980 l
Built-in / Free-standing: Built-in
Removable top: No
Door panel options: Not possible
Height of removable worktop: 0 mm
Height of the appliance: 815 mm
Adjustable feet: Yes - all from front
Maximum adjustability feet: 60 mm
Adjustable plinth: Both horizontal and vertical
Net weight:34.6 kg
Gross weight: 37.0 kg
Connection rating: 2400 W
Fuse protection:10 A
Voltage: 220-240 V
Frequency: 50; 60 Hz
Length electrical supply cord: 175 cm
Plug type: GARDY plug w/ earthing
Length inlet hose: 165 cm
Length outlet hose: 190 cm
Hidden heating element: Yes
Water protection system description: Triple water protection 24h
Child safety devices: No
Water softener:Yes
Top basket type: Practical loading with Flex basket
Adjustable upper basket: Rackmatic 3-stage
Bottom basket type: R2
3rd Rack:3rd Rack 1.0
Optional accessories: ...SGZ0BI01, SGZ0CL01, SGZ0IC00, SGZ1010, SGZ6BH00, SGZ8BI00, SMZ1051EU, SMZ2014, SMZ2056, SMZ5000, SMZ5003, SMZ5035, SMZ5100, SMZ5300	
Included accessories : Vapor barrier plate
Number of place settings: 14
Dimensions of the product (HxWxD):815 x 598 x 550 mm
Dimensions of the packed product (HxWxD): 880 x 660 x 670 mm

Optional accessories

SGZ0BI01 decorative strips stainless steel 81,5cm, SGZ0CL01 door lock mechanical, straight, SGZ0IC00 Small Item Clip for upper rack, SGZ1010 inlet and outlet hose extension, SGZ6BH00 Bottle Holder grey, SGZ8BI00 Connection rail for divided furniture, SMZ1051EU Mains cable with EU-Plug 5m, SMZ2014 Rack insert for stemware dishwasher, SMZ2056 Attachment door, stainless steel, SMZ5000 Dishwashing aid set, SMZ5003 Retractable hinge f. high corpus dimens., SMZ5035 Decor conversion kit, stainless steel, SMZ5100 Vario-cutlery basket, SMZ5300 GlassSecure Tray

¹ Scale of Energy Efficiency Classes from A to G
² Energy consumption in kWh per 100 cycles (in programme Eco 50 °C)
³ in programme Eco 50 °C
⁴ Duration of programme Eco 50 °C
⁵ Level 1 Hygiene Label - According to the tests performed by the Institute for Integrative Hygiene and Virology related to the removal of enveloped viruses (e.g. Corona, influenza) in the tested Eco 50°C programme using commercially available detergents for household dishwashers. Level 3 Hygiene Label - According to the tests performed by the Institute for Integrative Hygiene and Virology related to the removal of enveloped and non-enveloped viruses (e.g. Murine Parvo MVM, Corona, Influenza, Noro) in the tested program Intensive 70°C using commercially available detergents for household dishwashers. The Machine Care programme was tested with the Bosch machine cleaning and care products. Further information can be found at: <https://integrative-hygiene.de/> Subject to technical changes; We assume no liability for the correctness of the information provided. Illustration(s) exemplary, for explanation purposes



Series 4, fully-integrated dishwasher, 60 cm SMV4HCX07E

Easy loading of your dishes and manage your dishwasher via the Home Connect app.

Header 1

- Energy Efficiency Class¹: C
- Energy² / Water³: 75 kWh / 9 litres
- Capacity: 14 place settings
- Programme duration⁴: 4:55 (h:min)
- Noise level: 42 dB(A) re 1 pW
- Noise Efficiency Class: B
- Noise level (Silence 50°C programme): 41 dB(A) re 1 pW

Header 2

- 6 programmes: Eco 50 °C, Auto 45-65 °C, Intensive 70 °C, Express 65 °C, Silence 50 °C, Favourite (Pre-Rinse)
- Favourite function
- 4 special options: Remote Start, Extra Dry, Half Load, SpeedPerfect+
- Machine Care Programme
- Add-On functions via Home Connect app: Hygiene Plus, Silence on Demand (Quiet now)

Header 3

- Heat exchanger
- AquaSensor
- DosageAssist
- EcoSilence Drive
- Detergent Automation
- Self-cleaning filter system with 3-fold corrugated filter
- Interior tub material: Stainless Steel

Header 4

- Flex Baskets
- VarioDrawer
- Rackmatic height-adjustable top basket (3 stage)
- Low friction wheels on bottom basket
- Rack Stopper to prevent derailing of bottom basket
- 2 foldable plate racks in top basket
- 2 foldable plate racks in bottom basket
- 2 cup shelves in top basket
- 2 cup shelves in bottom basket

Header 5

- Home Connect enabled via WLAN
- Controls on top edge of door
- Panel legend: Plain text (english)
- Info Light (red)
- Remaining programme time indicator (min)
- Acoustic end of cycle indicator
- Electronic delay timer: 1-24 hours

Header 6

- AquaStop: Bosch warranty in case of water damage – for the

- lifetime of the appliance.*
- Glass protection technology

Header 7

- incl. Salt filling funnel
- incl. Steam protection for worktop

Header 8

- Product dimensions (HxWxD): 81.5 x 59.8 x 55 cm

¹ Scale of Energy Efficiency Classes from A to G

² Energy consumption in kWh per 100 cycles (in programme Eco 50 °C)

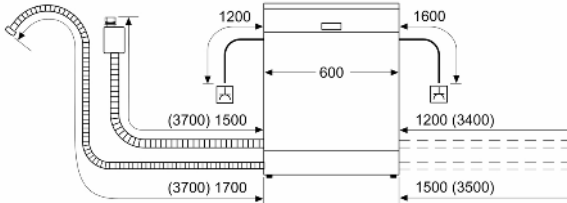
³ Water consumption in litres per cycle (in programme Eco 50 °C)

⁴ Duration of programme Eco 50 °C

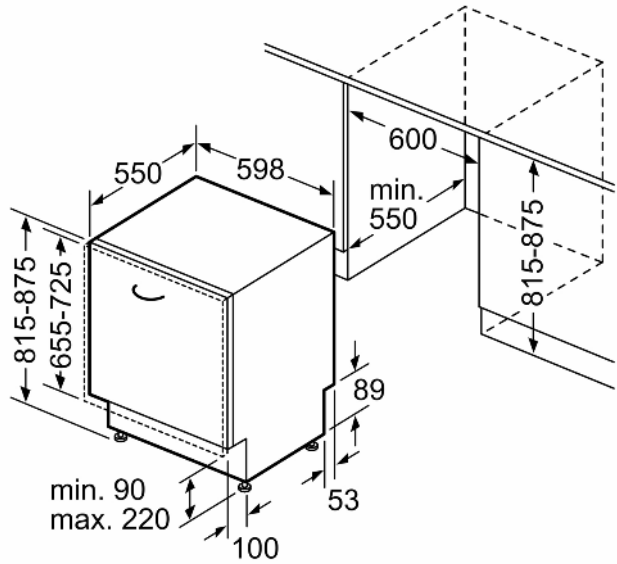
* Please find warranty terms under [please insert here the local URL (internet address, e.g. <https://www.bosch-home.com/> but with the direct page with the warranty terms)

**Series 4, fully-integrated dishwasher,
60 cm
SMV4HCX07E**

measurements in mm



⏏ socket
() values with extension kit



measurements in mm