



**One of the most  
affordable and  
powerful decorative  
island hoods on the market.**



**Dusty blue matt**

**Black matt**



**White matt**



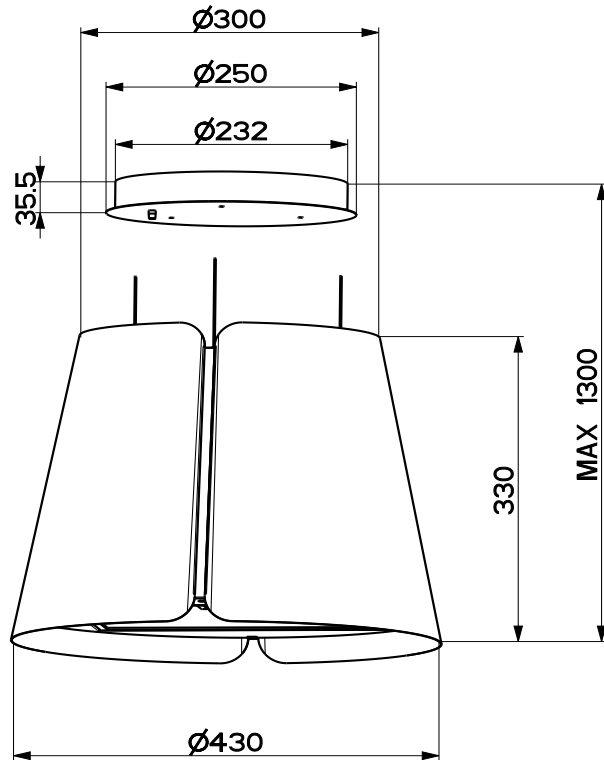
**Dark grey matt**



### FRESH AND SIMPLE LINES

Brand new in 2021 is Faber's simple yet elegant island hood "The Beat"; one of the most powerful (720m<sup>3</sup>/h) designer island extractors on the market.

Faber's brand new pendant styled island hood is made with two panels arranged side by side, creating a simple yet elegant design; perfect for any modern kitchen.



# BEAT

**BEAT BK MATT F45** cod. 345.0612.337  
**BEAT WH MATT F45** cod. 345.0612.338

**BEAT DG MATT F45** cod. 345.0612.339  
**BEAT DB MATT F45** cod. 345.0612.340



FEATURES	PERFORMANCE	ACCESSORIES
<b>Finish</b> · White matt · Black matt · Dark grey matt · Dusty blue matt	<b>Speed</b> 1 2 3 INT <b>Air capacity IEC point</b> 320 430 600 720 <b>Pressure</b> 430 490 520 550 <b>Input</b> 190 230 255 270 <b>Noise level</b> 54 61 68 73	<b>Cod. 112.0157.240</b> F8 Charcoal filter <b>Cod. 112.0185.278</b> FLL8 Long Lasting Charcoal filter <b>Cod. 112.0158.127</b> FHP8 High Performance Charcoal filter
<b>Controls</b> Electronic	<b>INSTALLATION REQUIREMENTS</b>	
<b>Lighting</b> 2 LED Lights	<b>Max Load</b> 270W	<b>Max Width of Hob</b> 70cm
<b>Grease filter</b> Cassettes dishwasher safe	<b>Min Height</b> 65cm above a Gas Hob	65cm above an Electric Hob
<b>Ø of air outlet</b> 150 mm		
<b>Width</b> 430 mm		
<b>Energy class</b> A		