

Created by **Palazzi, Walter**

Denomination  
**DIMENSIONAL DRAWING**

Lang **EN**  Sheet **1/2**

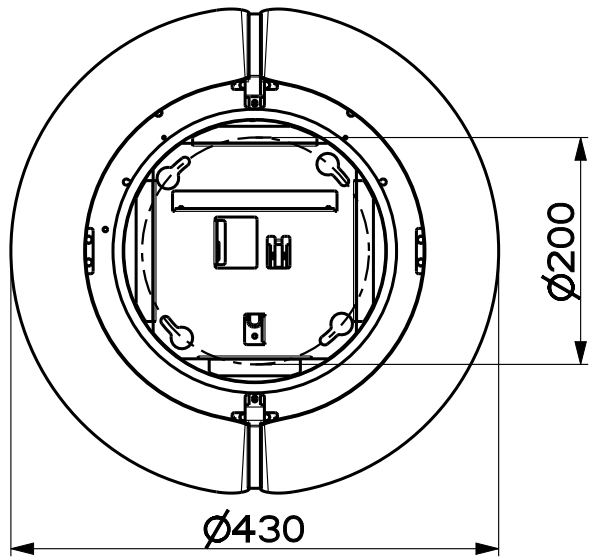
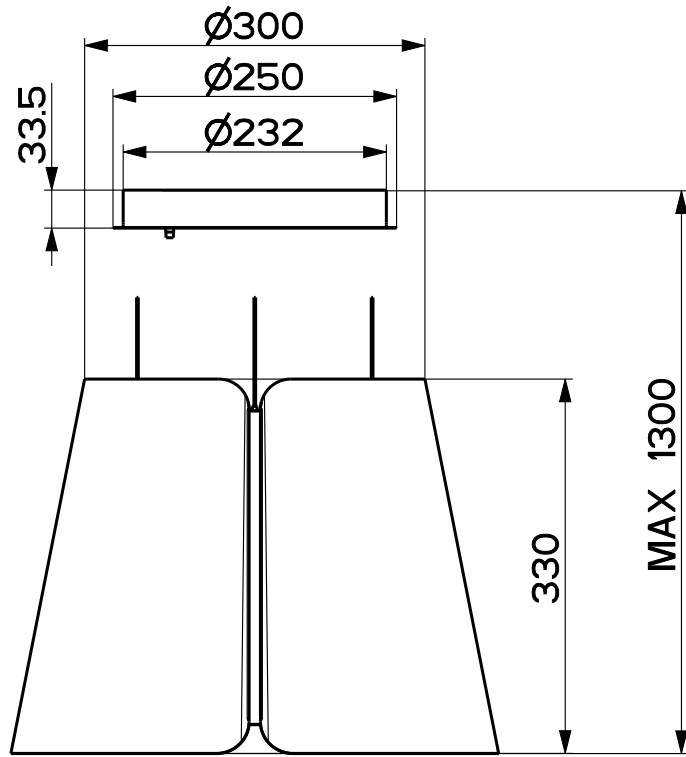
Modif.by

Approved by **Palazzi, Walter**

Approval date **05-Jun-2020**

Doc. status **Released**

Drawing N.  
**345019\_714** Rev  
**01**



Created by **Palazzi, Walter**

Denomination

**MAIN ASSEMBLY CONE**

Lang **EN**  Sheet **2/2**

Modif.by

Approved by **Palazzi, Walter**

Approval date **05-Jun-2020**

Doc. status **Released**

Drawing N.  
**345019\_714**

Rev  
**01**