

**Series 4, built-in fridge, 122.5 x 56 cm, flat hinge KIR41VFE0**



- KFZ40AX0 Door panel with decor frame
- KFZ40SX0 Stainless steel door panel
- KSZB6R00 Bottle Rack
- KSZGGM00 Butter box

- **LED lighting:** keep your groceries in perfect view.
- **Super Cooling function:** cools new food placed inside faster, thus protecting already cooled food.

Gross weight:	94.000 lbs
Energy Efficiency Class (Regulation (EU) 2017/1369):	E
Average annual energy consumption in kilowatt hour per year (kWh/a):	101 kWh/annum
Sum of volume of frozen compartments:	0 l
Sum of volume of chill compartments:	204 l
Airborne acoustical noise emissions :	35 dB(A) re 1 pW
Airborne acoustical noise emission class:	B
Built-in / Free-standing:	Built-in
Number of compressors:	1
Number of independent cooling systems:	1
Width of the appliance:	541 mm
Height:	1221 mm
Depth of the product:	548 mm
Net weight:	39.3 kg
Min. required niche size for installation (HxWxD):	1225.0 x 560 x 550 mm
Door panel options:	Possible but accessory
Door hinge:	Right reversible
Number of Adjustable Shelves in fridge compartment:	4
Shelves for Bottles:	Yes
Frost free system:	No
Interior ventilator:	No
Reversible Door Hinge:	Yes
Length electrical supply cord:	230.0 cm
Multi-Flow Air Tower:	No
Economy setting:	No
Cold technology:	1 compressor/1 cold circuit
Fast cooling switch:	Yes
Temperature Controlled Drawer:	No
Humidity Control Drawer:	No
Number of Door Bins - Refrigerator:	4
Door bin adjustability - Refrigerator:	No
Tilt-out door bins in fridge:	No
Gallon wide door bins:	Yes
Number of Gallon storage:	1
Motorized Shelf:	No
Material of the shelves:	Glas
Door opened indicator freezer:	No
Fuse protection:	10 A
Voltage:	220-240 V
Frequency:	50 Hz
Door panel options:	Possible but accessory
Installation typology:	Integrated
Energy Star Qualified:	No
Plug type:	Gardy plug w/ earthing
Required cutout/niche size for installation (in):	X
Dimensions of the packed product:	50.78 x 24.40 x 25.19
Net weight:	87.000 lbs



## Series 4, built-in fridge, 122.5 x 56 cm, flat hinge KIR41VFE0

---

- Built-in/-under-refrigerator 1-door
- easy Installation

### Performance and consumption

- EU19\_EEK\_D: E
- Total Volume : 204 l
- Net Fridge Volume : 204 l
- Annual Energy Consumption: 101 kWh/a
- Climate Class: SN-ST
- Noise Level : 35 dB

### Design and Styling

- LED interior light in fridge section

### Convenience & Safety

- LED electronic control
- Super Cooling: automatic deactivation

### Fridge Compartment

- 5 safety glass shelves of which 4 are height adjustable
- 1 door trays
- 4 door bins
- Acoustic open door warning system
- Automatic defrost in fridge section

### Freshness System

- 1 MultiBox - Transparent drawer with a corrugated bottom, ideal for storing fruits and vegetables.

### Freezer Section

#### Dimensions

- Dimensions ( H x W x D): 122.1 cm x 54.1 cm x 54.8 cm
- Niche Dimension (H x W x D): 122.5 cm x 56.0 cm x 55.0 cm

#### Technical Information

- Door right hinged, reversible
- Nominal voltage: 220 - 240 V

#### Accessories

- egg tray

#### Country Specific Options

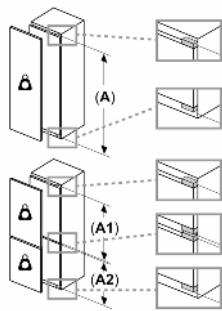
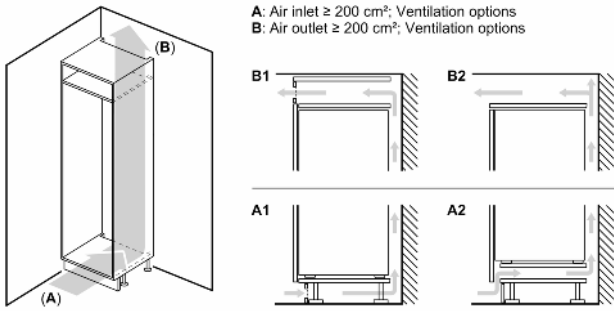
- Based on the results of the standard 24-hour test. Actual consumption depends on usage/position of the appliance.

#### Environment and Safety

#### Installation

#### General Information

**Series 4, built-in fridge, 122.5 x 56 cm, flat hinge  
KIR41VFE0**



**Maximal permissible weight of the unit fronts**

Fitted unit fronts that exceed the permissible weight may cause damage and result in functional impairment of the hinges

$\Delta$  Weight  
 A: Appliance door height including hinges in mm

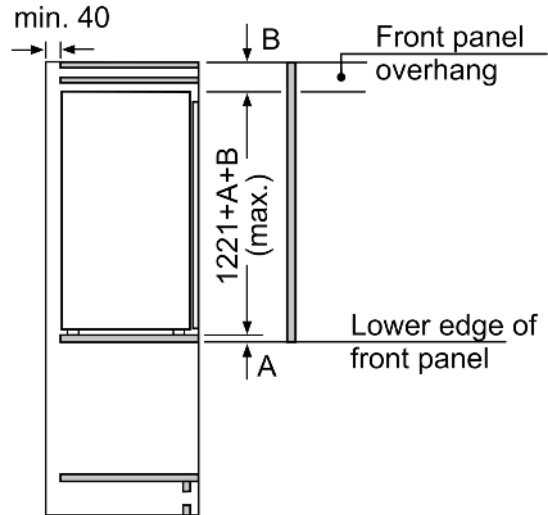
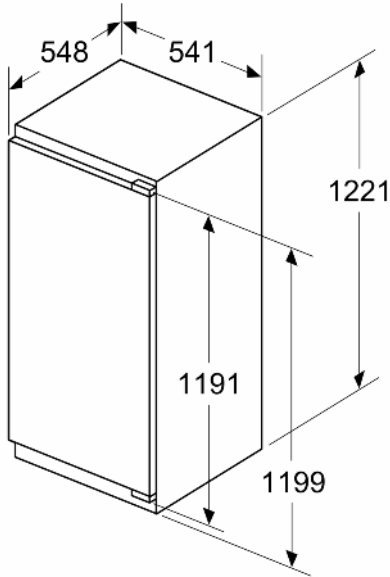
B: Undamped hinge, unit front in kg

C: Damped hinge, unit front in kg

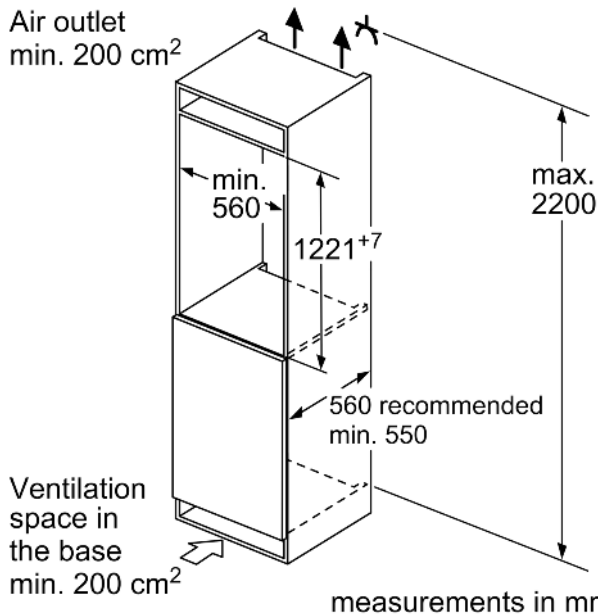
D: Additional possible load in kg with heavy load kit

A	B	C	D
1500-1750	22	22	B+5 / C+5
720-1400	19	19	
A1	15	19	
A2	15	19	

**Measurements in mm**

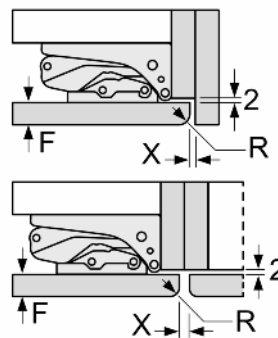


measurements in mm



**measurements in mm**

**Recommended gap dimensions for flat hinges**



F	R	X
16-19	0-3	2.5
20	0-1	3
	2-3	2.5
21	0-1	3
	2-3	2.5
22	0	4
	1	3.5
	2-3	3

The gap dimensions recommended in the table must be adhered to in order to ensure that appliance doors do not collide with anything when they are opened, and to avoid causing damage to kitchen units.