

**Series 4, fully-integrated dishwasher,
45 cm, Variable hinge for special
installation situations
SPH4HMX12E**



SGZ8BI00 Connection rail for divided furniture

**Connected dishwasher with noise
reduction at any time via the Home
Connect App even for kitchens with low
plinth heights and high built in.**

- **Extra Dry:** the extra option for stronger drying performance.
- **Rackmatic:** height-adjustable dishwasher basket for tall items.
- **Silence Plus:** remarkably quiet at 44dB.
- **Home Connect:** home appliances with smart connectivity for an easier everyday life
- **Smart Start:** Optimise your dishwasher's energy use with automatic start time selection.

Energy Efficiency Class (Regulation (EU) 2017/1369): D
Energy Consumption for 100 cycles Eco Programme: 67 kWh/100 cycles
Maximum number of place settings: 10
The water consumption of the eco programme in liters per cycle:	8.9 l
Programme duration: 4:35 h
Airborne acoustical noise emissions :44 dB(A) re 1 pW
Airborne acoustical noise emission class:B
Cleaning performance:A
Water consumption:8.9 l
Total annual water consumption 220 days:1958 l
Built-in / Free-standing: Built-in
Removable top: No
Door panel options: Not possible
Height of removable worktop: 0 mm
Height of the appliance: 815 mm
Adjustable feet: Yes - all from front
Maximum adjustability feet: 60 mm
Adjustable plinth: Both horizontal and vertical
Net weight:28.9 kg
Gross weight: 30.4 kg
Connection rating: 2400 W
Fuse protection:10 A
Voltage: 220-240 V
Frequency: 50; 60 Hz
Length electrical supply cord: 175 cm
Plug type: GARDY plug w/ earthing
Length inlet hose: 165 cm
Length outlet hose: 205 cm
Hidden heating element: Yes
Water protection system description: Triple water protection 24h
Child safety devices:No
Water softener:Yes
Top basket type: Practical loading with Vario Flex basket
Adjustable upper basket: Rackmatic 3-stage
Bottom basket type: R2 45 cm
3rd Rack: VarioDrawer
Included accessories : Vapor barrier plate
Number of place settings: 10
Dimensions of the packed product (HxWxD):880x530x680 mm



Series 4, fully-integrated dishwasher, 45 cm, Variable hinge for special installation situations SPH4HMX12E

Connected dishwasher with noise reduction at any time via the Home Connect App even for kitchens with low plinth heights and high built in.

BOSCH - Header 1

- Energy Efficiency Class¹: D
- Energy² / Water³: 67 kWh / 8.9 litres
- Capacity: 10 place settings
- Programme duration⁴: 4:35 (h:min)
- Noise level: 44 dB(A) re 1 pW
- Noise Efficiency Class: B
- Noise level (silence programme): 43 dB(A) re 1 pW

BOSCH - Header 2

- 6 programmes: Eco 50 °C, Auto 45-65 °C, Intensive 70 °C, Express 65 °C, Silence 50 °C, Pre-Rinse
- Favourite Program
- 4 special options: Remote Start, Extra Dry, Intensive Zone, SpeedPerfect+
- Machine Care
- Add-On functions via Home Connect app: HygienePlus, Silence on Demand

BOSCH - Header 3

- Heat exchanger
- AquaSensor
- DosageAssist
- EcoSilence Drive
- DuoPower spray arms in top basket
- Self-cleaning filter system with 3-fold corrugated filter
- Interior tub material: Stainless Steel

BOSCH - Header 4

- Rackmatic height-adjustable top basket (3 stage)
- Low friction wheels on bottom basket
- Rack Stopper to prevent derailing of bottom basket
- 2 foldable plate racks in bottom basket
- Cup shelf in top basket

BOSCH - Header 5

- Home Connect enabled via WLAN
- Push button top controls
- Panel legend: Plain text (english)
- InfoLight (red)
- Remaining programme time indicator (min)
- Acoustic end of cycle indicator
- Electronic delay timer: 1-24 hours

BOSCH - Header 6

- AquaStop: Bosch warranty in case of water damage – for the lifetime of the appliance.*
- with VarioHinge

- Glass protection technology

BOSCH - Header 7

- incl. salt filling funnel
- Incl. Steam protection plate

BOSCH - Header 8

- Product dimensions (HxWxD): 81.5 x 44.8 x 55 cm

¹ Scale of Energy Efficiency Classes from A to G

² Energy consumption in kWh per 100 cycles (in programme Eco 50 °C)

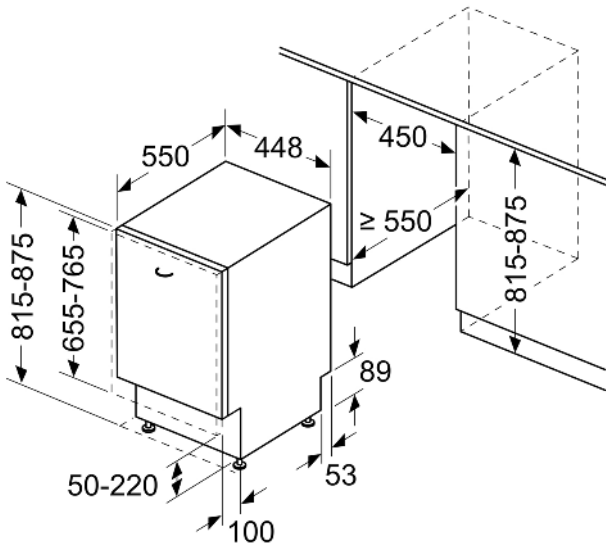
³ Water consumption in litres per cycle (in programme Eco 50 °C)

⁴ Duration of programme Eco 50 °C

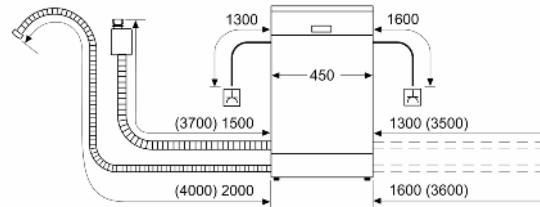
* Please find warranty terms under [please insert here the local URL (internet address, e.g. <https://www.bosch-home.com/> but with the direct page with the warranty terms)

**Series 4, fully-integrated dishwasher,
45 cm, Variable hinge for special
installation situations
SPH4HMX12E**

measurements in mm



measurements in mm



⏏ socket
() values with extension kit