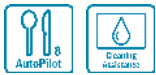


## Series 4, Built-In Microwave, Stainless steel BEL523MS0



1 x grid, 1 x Turntable

HEZ86D000 Steamer Cooker Accessory for Microwave

- **AutoPilot 8:** every dish is a perfect success thanks to 8 pre-set automatic programmes.
- **LED-display control, red:** easy-to-use thanks to the time functions.
- **Pop-out controls:** for an easy to clean front.
- **Stainless steel interior:** easy to clean interior thanks to smooth surfaces and no sharp edges.
- **Cleaning Assistance:** less cleaning effort thanks to the new cleaning option, which can be especially used for cleaning of light soiling.

Additional function: .....Grill function  
 Type of control: .....Electronic  
 Dimensions: ..... 382x594x317 mm  
 Cavity dimensions: ..... 201 x 308 x 282 mm  
 Length electrical supply cord: ..... 130.0 cm  
 Net weight: ..... 17.3 kg  
 Gross weight: ..... 19.6 kg  
 Max. microwave power level: ..... 800 W  
 Number of Power Levels: ..... 5  
 Turntable: .....Yes  
 Cavity material: ..... Stainless steel  
 Door opening: ..... Button  
 Clock: .....Yes  
 Included accessories: ..... 1 x grid, 1 x Turntable  
 Height of the appliance: ..... 382 mm  
 Width of the appliance: ..... 594 mm  
 Depth of the product: ..... 317 mm  
 Max. microwave power level: ..... 800 W  
 Connection rating: ..... 1270 W  
 Fuse protection: .....10 A  
 Voltage: ..... 220-230 V  
 Frequency: ..... 50 Hz  
 Plug type: ..... GARDY plug w/ earthing  
 Required cutout/niche size for installation (in): .....X  
 Dimensions of the packed product: ..... 17.32 x 15.15 x 25.98  
 Net weight: ..... 38.000 lbs  
 Gross weight: ..... 43.000 lbs



## Series 4, Built-In Microwave, Stainless steel BEL523MS0

---

### **Microwave and heating mode:**

- Max. Power: 800 W; 5 Microwave power settings: 90 W, 180 W, 360 W, 600 W, 800 W
- Grill 1 KW
- Grill and microwave power levels 180 W, 360 W combinable
- Microwave and grill for separate use
- Cavity volume: 20 l

### **Design:**

- stainless steel cavity

### **Cleaning:**

- Cleaning Assistance

### **Comfort:**

- LED display control
- electronic clock
- Rotary Control, Pop-out controls, Touch control
- User-friendly electronics: extremely
- easy and comfortable operation
- AutoPilot 8
- LED light
- side opening door, hinge left
- Electronic door opener
- Touch key operation

### **Accessory:**

- Turntable, grid

### **Environment and Safety:**

- Automatic switch off
- Door contact switch
- Integral cooling fan

### **Technical Information**

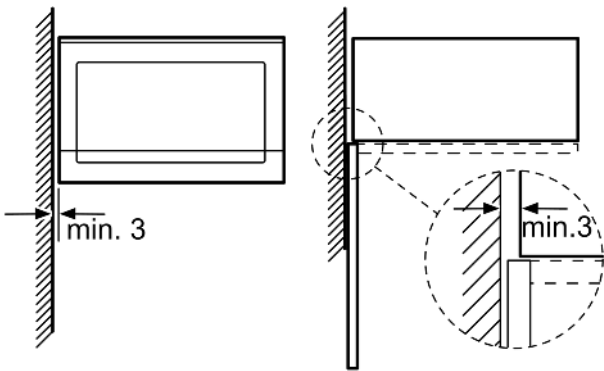
- Length of mains cable: 130 cm
- Total connected load electric: 1.27 KW
- Nominal voltage: 220 - 230 V
- Suitable for high cupboard installation, Can be built in a 60 cm wall cupboard (at least 30cm deep)

### **Dimensions:**

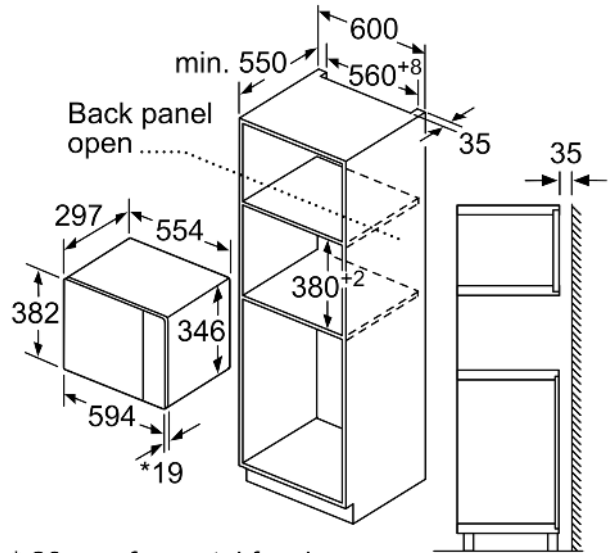
- Appliance dimension (hxwxh): 382 mm x 594 mm x 317 mm
- Niche dimension (hxwxh): 362 mm - 365 mm x 560 mm - 568 mm x 300 mm
- "Please reference the built-in dimensions provided in the installation drawing"

**Series 4, Built-In Microwave,  
Stainless steel  
BEL523MS0**

Microwave,  
corner installation



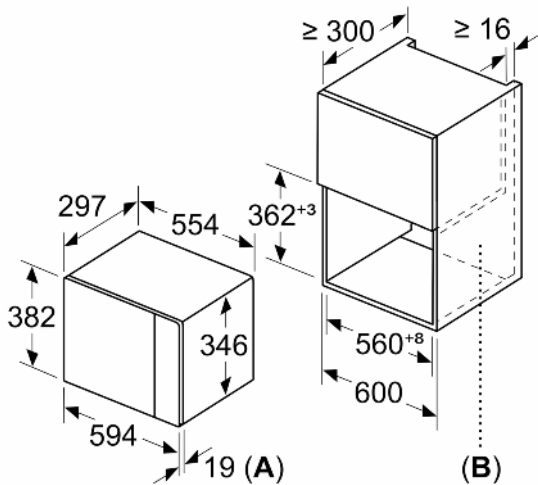
Measurements in mm



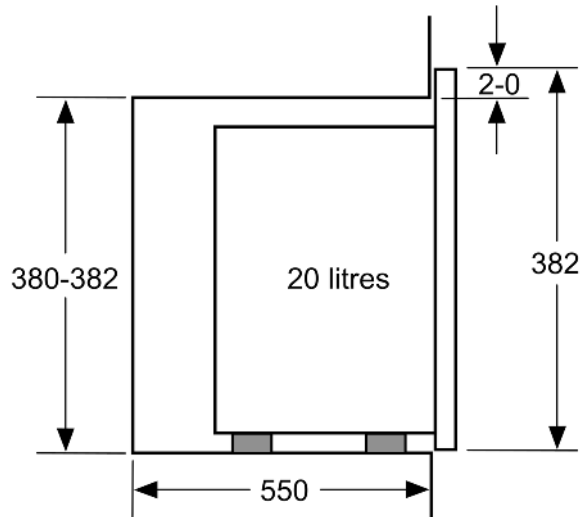
\* 20 mm for metal fascia

measurements in mm

Measurements in mm



**A:** 20 mm for metal fascia  
**B:** Back panel open



measurements in mm

