

N 50, FULLY-INTEGRATED DISHWASHER, 60 CM,  
VARIABLE HINGE FOR SPECIAL INSTALLATION  
SITUATIONS  
S175HCX03E



The dishwasher with cutlery drawer that's practical to load and indicates when it's running, fitting even for special built-in situations.

- ✓ Flex 1 Baskets: Convenient loading freedom with Rack Matic and Cutlery Drawer.
- ✓ Vario Hinge: Install your dishwasher almost anywhere.
- ✓ Gap Illumination: Tells you when a dishwasher cycle is running.
- ✓ Chef 70°C: The pro programme that vanishes stubborn residues.
- ✓ Home Connect: Add your dishwasher to your home network and enjoy the infinite possibilities of connected services.

### Features

#### Technical Data

Energy Efficiency Class (Regulation (EU) 2017/1369)<sup>1</sup>: ..... C  
 Energy Consumption for 100 cycles Eco Programme<sup>2</sup>: 75 kWh/100 cycles  
 Maximum number of place settings: ..... 14  
 The water consumption of the eco programme in liters per cycle<sup>3</sup>: 9,0 l  
 Programme duration<sup>4</sup>: ..... 4:55 h  
 Airborne acoustical noise emissions : ..... 42 dB(A) re 1pW  
 Airborne acoustical noise emission class: ..... B  
 Cleaning performance: ..... A  
 Water consumption: ..... 9.0 l  
 Total annual water consumption 220 days: ..... 1980 l  
 Design: ..... Built-in  
 Removable top: ..... No  
 Door panel options: ..... Not possible  
 Height of removable worktop: ..... 0 mm  
 Height of the appliance: ..... 815 mm  
 Adjustable feet: ..... Yes - all from front  
 Maximum adjustability feet: ..... 60 mm  
 Adjustable plinth: ..... Both horizontal and vertical  
 Net weight: ..... 35.1 kg  
 Gross weight: ..... 37.5 kg  
 Connection Rating: ..... 2400 W  
 Fuse protection: ..... 10 A  
 Voltage: ..... 220-240 V  
 Frequency: ..... 50; 60 Hz  
 Length electrical supply cord: ..... 175 cm  
 Plug type: ..... GARDY plug w/ earthing  
 Length inlet hose: ..... 165 cm  
 Length outlet hose: ..... 190 cm  
 Hidden heating element: ..... Yes  
 Water protection system description: ..... Triple water protection 24h  
 Child safety devices: ..... No  
 Water softener: ..... Yes  
 Top basket type: ..... Practical loading with Flex 1 basket  
 Adjustable upper basket: ..... Rackmatic 3-stage  
 Bottom basket type: ..... R2  
 3rd Rack: ..... 3rd Rack 1.0  
 Optional accessories: ..... Z7710X0, Z780BI01, Z7860X3, Z7863X0, Z7863X1, Z7863X8, Z7865X1EU, Z786BH00, Z7870X0, Z788BI00  
 Included accessories : ..... Vapor barrier plate  
 Number of place settings: ..... 14  
 Dimensions of the packed product (HxWxD): ..... 880x660x670 mm

### Optional accessories

|           |  |
|-----------|--|
| Z7710X0   | inlet and outlet hose extention          |
| Z780BI01  | decorative strips stainless steel 81,5cm |
| Z7860X3   | Stainless steel protection set 81,5 cm   |
| Z7863X0   | Cutlery basket                           |
| Z7863X1   | Rack insert for stemware dishwasher      |
| Z7863X8   | Wine glass holder                        |
| Z7865X1EU | Mains cable with EU-Plug 5m              |
| Z786BH00  | Bottle Holder grey                       |
| Z7870X0   | Accessories dishwasher                   |
| Z788BI00  | Connection rail for divided furniture    |

<sup>1</sup> Scale of Energy Efficiency Classes from A to G  
<sup>2</sup> Energy consumption in kWh per 100 cycles (in programme Eco 50 °C)  
<sup>3</sup> in programme Eco 50 °C  
<sup>4</sup> Duration of programme Eco 50 °C



N 50, FULLY-INTEGRATED DISHWASHER, 60 CM,  
VARIABLE HINGE FOR SPECIAL INSTALLATION  
SITUATIONS  
S175HCX03E

## Features

### NEFF - Header 1

- Energy Efficiency Class<sup>1</sup>: C
- Energy<sup>2</sup> / Water<sup>3</sup>: 75 kWh / 9 litres
- Capacity: 14 place settings
- Programme duration<sup>4</sup>: 4:55 (h:min)
- Noise level: 42 dB(A) re 1 pW
- Noise Efficiency Class: B

### NEFF - Header 2

- 6 programmes: Eco 50 °C, Auto 45-65 °C, Chef 70 °C, Classic 60 °C, Glass 40 °C, Favourite (Pre-Rinse)
- Favourite Programme
- 4 special options: Remote Start, Extra Dry, Power Zone, Extra Speed
- Easy Clean Programme
- Add-On functions via Home Connect app: Extra Hygiene, Silence on Demand (Quiet now)

### NEFF - Header 3

- Heat exchanger
- AquaSensor®
- DosageAssist
- EfficientSilentDrive
- Detergent Automation
- Self-cleaning filter system with 3-fold corrugated filter
- Interior tub material: Stainless Steel

### NEFF - Header 4

- Flex 1 basket system
- Flex Cutlery Drawer
- Rack Matic height-adjustable top basket (3 stage)
- Low friction wheels on bottom basket
- Rack Stopper to prevent derailing of bottom basket
- 2 foldable plate racks in top basket
- 2 foldable plate racks in bottom basket
- 2 cup shelves in top basket
- 2 cup shelves in bottom basket

### NEFF - Header 5

- Home Connect enabled via WLAN
- Controls on top edge of door
- Panel legend: Plain text (english)
- Gap Illumination
- Remaining programme time indicator (min)
- Acoustic end of cycle indicator
- Electronic delay timer: 1-24 hours

### NEFF - Header 6

- Aqua Stop®: Neff warranty in case of water damage – for the lifetime of the appliance.\*
- incl. Vario Hinge
- Glass Care System

- incl. Salt filling funnel
- incl. Steam protection for worktop
- Product dimensions (HxWxD): 81.5 x 59.8 x 55 cm

<sup>1</sup> Scale of Energy Efficiency Classes from A to G

<sup>2</sup> Energy consumption in kWh per 100 cycles (in programme Eco 50 °C)

<sup>3</sup> Water consumption in litres per cycle (in programme Eco 50 °C)

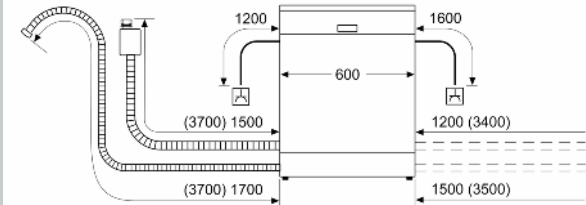
<sup>4</sup> Duration of programme Eco 50 °C

\* Please find warranty terms under [please insert here the local URL (internet address, e.g. <https://www.neff-home.com> but with the direct page with the warranty terms)

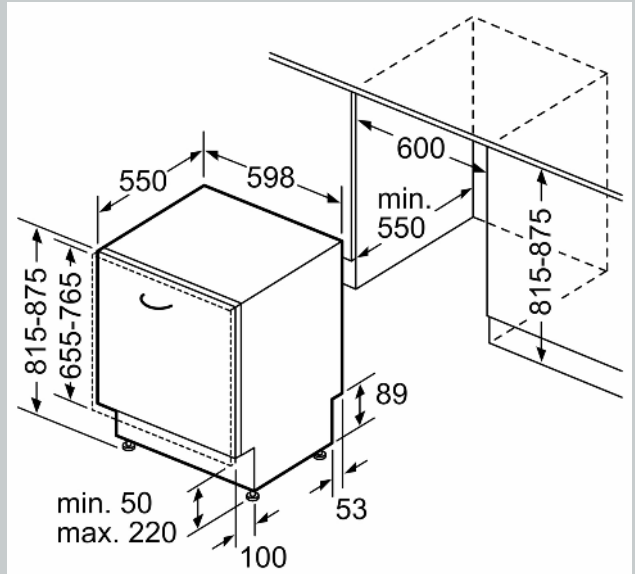
N 50, FULLY-INTEGRATED DISHWASHER, 60 CM,  
VARIABLE HINGE FOR SPECIAL INSTALLATION  
SITUATIONS  
S175HCX03E

Dimensioned drawings

measurements in mm



⊕ socket  
( ) values with extension kit



measurements in mm