



GO450120

#### Included accessories

- 1 x baking tray
- 1 x grill tray
- 1 x wire rack
- 1 x core temperature probe

#### Optional accessories

BA020110:

Air frying tray 60cm

BA026116:

Baking tray, for 60cm oven

BA026117:

Grill tray, for 60cm oven

BA036106:

Wire rack, for 60cm oven

BA046118:

Glass tray 60cm

BA056134:

Baking stone for 60 cm pyro oven

BS020003:

Pizza paddle

GN340231:

Gastronorm roaster GN 2/3

#### installation accessories

oven Gaggenau Expressive series

60 x 60 cm, door hinge: right

GO450120

- Automatic programmes and setting recommendations enables precise and perfect results
- Seamless interface design with refined aesthetics, featuring a floating stainless steel ring and haptic feedback
- Full-size side-hinged door with one-touch opening for easy, ergonomic access
- Pyrolytic self-cleaning offers high-efficiency cleaning in less than 4 hours, maintaining a spotless oven
- Invisible full surface grill element enhances cooking precision while maintaining a sleek elegance

#### Highlights

Handleless full glass door with electronic door opening.

Full touch display with stainless steel control ring.

Light and display response upon user approach.

Pyrolytic self-cleaning.

Invisible full surface grill behind enamel.

15 heating methods from 30 °C to 300 °C, incl. baking stone function, roaster function, air frying, dehydrating.

Automatic programmes and setting recommendations.

Core temperature probe.

Net volume 77 litres.

#### Heating methods / Programmes

Hot air plus.

Hot air eco. Top + bottom heat. Top heat.

Bottom heat. Hot air + bottom heat. Moist

baking. Grill + circulated air. Grill. Baking stone function. Roaster function. Air frying.

Dehydrating. Dough proving. Defrosting.

160 programmes (automatic programmes and setting recommendations).

Option to save up to 30 favourites.

#### Handling

Cushioned side-opening door with 110 ° opening angle.

Electronic door opening.

Full touch display with control ring.

42 display languages available.

User detection, adjustable distance.

Info texts for additional information.

Animated quick guides to assist appliance operation.

#### Features

Invisible full surface grill behind enamel 3.4 kW.

Grill can be added briefly in hot air mode for additional browning.

Hot air fan rotates in both directions for ideal heat distribution.

Extra powerful bottom heating for baking stone and roaster function.

Three-point core temperature probe with cooking time estimation via Home Connect.

Precise temperature control with display of the current temperature.

Rapid heating.

Heated catalyser to clean the oven air.

Timer functions: cooking time, cooking time end, count-up timer.

Long-term timer with pre-programmable heating cycles.

Programmable automatic door opening at cooking time end to avoid overcooking.

Optimum visibility of the food thanks to side lighting.

4 shelf levels.

#### Selected digital services (Gaggenau Home Connect)

Remote control and monitoring.

Cooking time estimation when using the core temperature probe.

Door opening via voice assistant.

#### Safety

Child lock to prevent accidental switch on or operation of the appliance.

Electronic door lock to prevent unintentional opening of the appliance door.

Safety shut-off.

Thermally insulated door with quintuple glazing.

Cooled housing with temperature protection.

#### Cleaning

Pyrolysis with minimized odour development thanks to the heated catalyser.

Side shelf supports enamelled and pyrolysis-safe.

Seamless cooking compartment without obstructive elements.

#### Planning notes

Plan the niche without back wall.

Door hinge not reversible.

Protrusion from appliance front to furniture cabinet 42 mm.

When planning a corner solution, pay attention to the side-opening door and the minimum required distance to the wall.

Door opening angle appr. 110° (delivery status) can be reduced to appr. 97° if required.

For installation underneath cooktops: distance between the underside of the cooktop and the top edge of the oven housing: min. 15 mm. The planning notes for the cooktops (particularly regarding ventilation, gas/electric connection) must be taken into account.

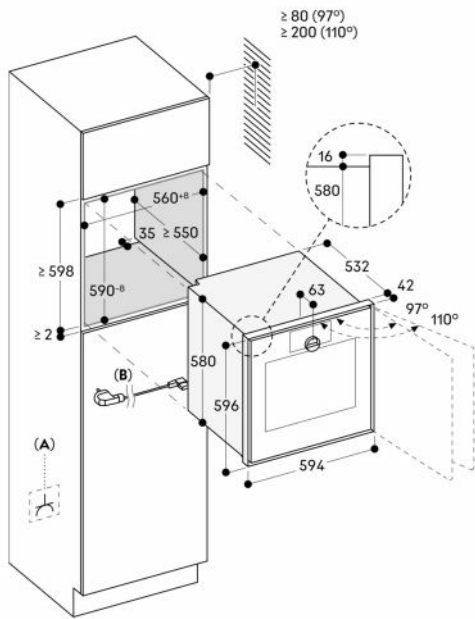
The mains socket must be accessible and located outside the built-in niche.

#### Connection

Energy efficiency class A at a range of energy efficiency classes from A+++ to D.

Total connected load 3.7 KW.

Connection cable 1.75 m, pluggable.



**A:** Accessible electrical connection  
**B:** Cable with or without plug, depending on country

Measurements in mm