

Extractor Hob or Flow In

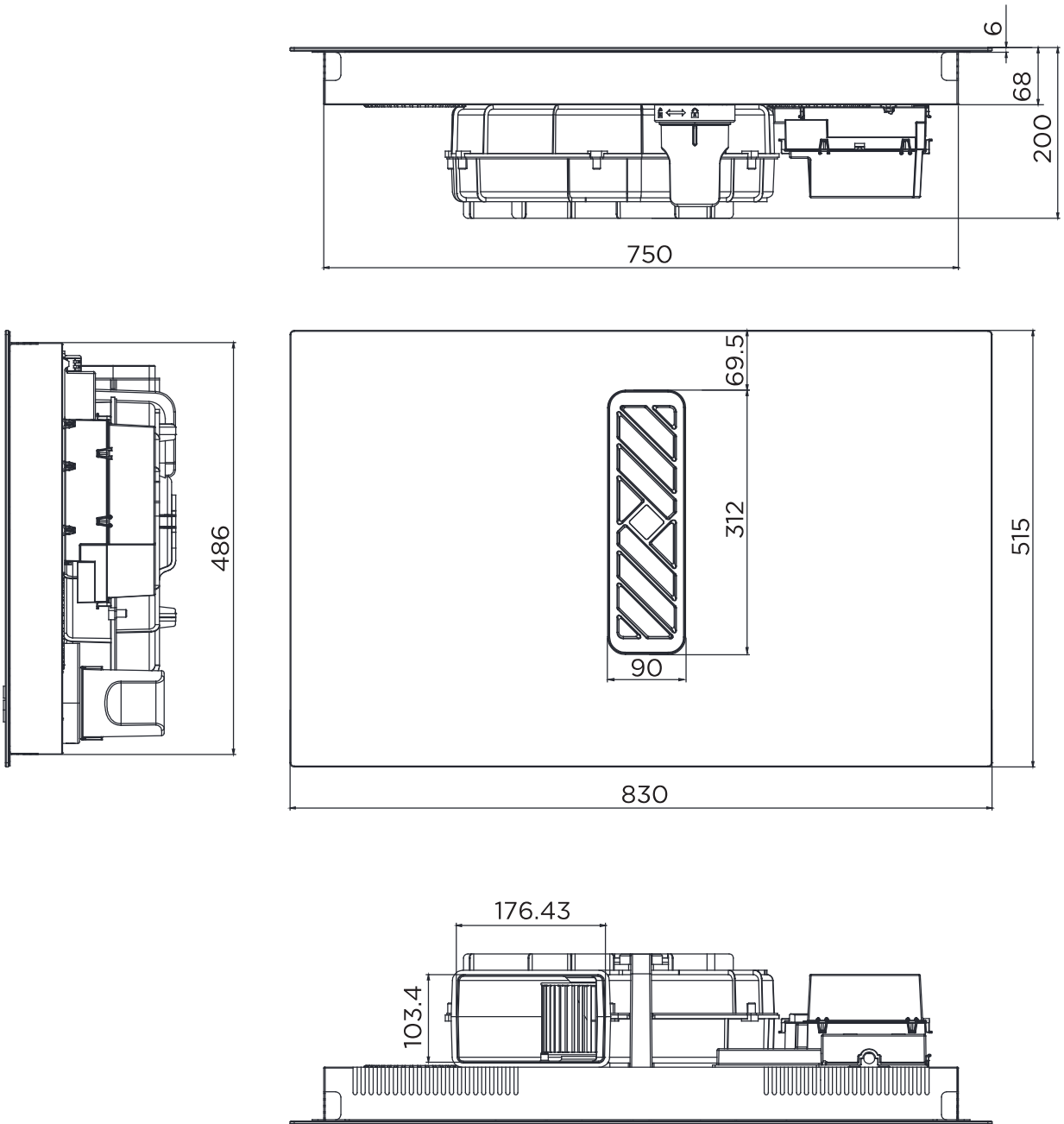
USER MANUAL

M83C02-H22

Warning notices: Before using this product, please read this manual carefully and keep it for future reference. The design and specifications are subject to change without prior notice for product improvement. Consult with your dealer or manufacturer for details. The diagram above is just for reference. Please take the appearance of the actual product as the standard.

Dimensions

unit: mm



PRODUCT INSTALLATION

Installation

Before installing the hob, make sure that

- The work surface is square and level, and no structural members interfere with space requirements.
- The work surface is made of a heat-resistant and insulated material.
- If the hob is installed above an oven, the oven has a built-in cooling fan.
- The installation will comply with all clearance requirements and applicable standards and regulations.
- A suitable isolating switch providing full disconnection from the mains power supply is incorporated in the permanent wiring, mounted and positioned to comply with the local wiring rules and regulations.
- The isolating switch must be of an approved type and provide a 3 mm air gap contact separation in all poles (or in all active [phase] conductors if the local wiring rules allow for this variation of the requirements).
- The isolating switch will be easily accessible to the customer with the hob installed.
- You consult local building authorities and by-laws if in doubt regarding installation.
- You use heat-resistant and easy-to-clean finishes (such as ceramic tiles) for the wall surfaces surrounding the hob.

After installing the hob, make sure that

- The power supply cable is not accessible through cupboard doors or drawers.
- There is adequate flow of fresh air from outside the cabinetry to the base of the hob. If the hob is installed above a drawer or cupboard space, a thermal protection barrier is installed below the base of the hob.
- The isolating switch is easily accessible by the customer.
- Please locate at the lower part of the stove and set a ventilation hole with a total area of no less than 100cm² to maintain the circulation with the outside air, otherwise it will cause the accumulation of leaking gas and cause explosion. If liquefied petroleum gas cylinder is used, the distance between the stove and the gas cylinder should be greater than 100cm.

Cautions

- The induction hotplate must be installed by qualified personnel or technicians. We have professionals at your service. Please never conduct the operation by yourself.
- The hob will not be installed directly above a dishwasher, fridge, freezer, washing machine or clothes dryer, as the humidity may damage the hob electronics.
- The induction hotplate shall be installed such that better heat radiation can be ensured to enhance its reliability.
- The wall and induced heating zone above the table surface shall withstand heat.
- To avoid any damage, the sandwich layer and adhesive must be resistant to heat.
- A steam cleaner is not to be used.

Connecting the hob to the mains power supply



Check with an electrician whether the domestic wiring system is suitable without alterations. Any alterations must only be made by a qualified electrician.

This hob must be connected to the mains power supply only by a suitably qualified person. Before connecting the hob to the mains power supply, check that:

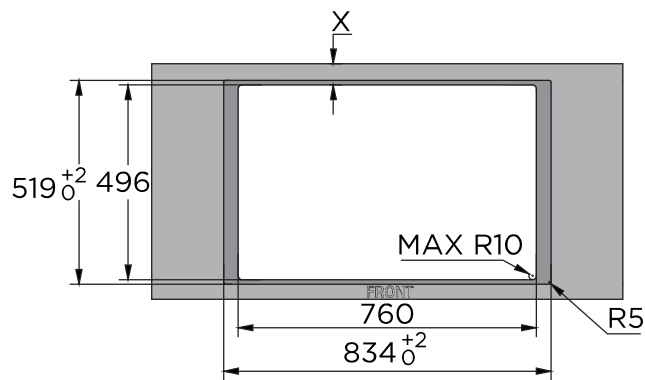
1. The domestic wiring system is suitable for the power drawn by the hob.
2. The voltage corresponds to the value given in the rating plate.
3. The power supply cable sections can withstand the load specified on the rating plate.

To connect the hob to the mains power supply, do not use adapters, reducers, or branching devices, as they can cause overheating and fire.

The power supply cable must not touch any hot parts and must be positioned so that its temperature will not exceed 75°C at any point.

Wall Drilling And Bracket Fixing

INSTALLATION FLUSH TOP



INSTALLATION STANDARD

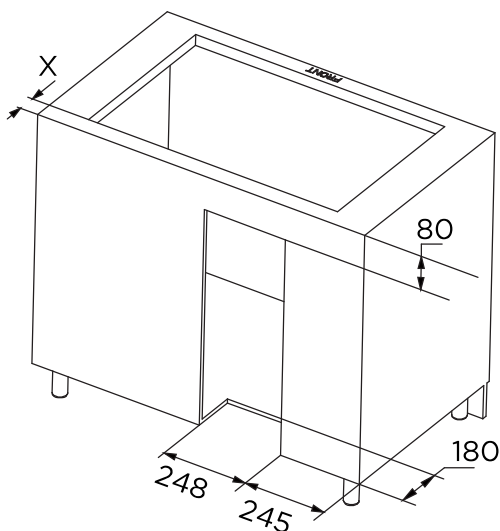
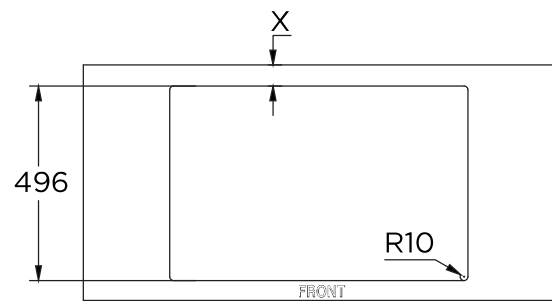


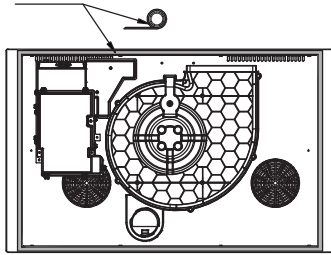
Table width(Y)	X
600-650mm	54mm
≥650mm	65mm



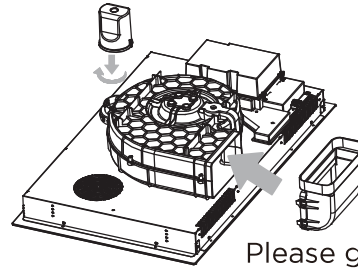
Internal circulation

1. Stick sponge strips

Sponge strip

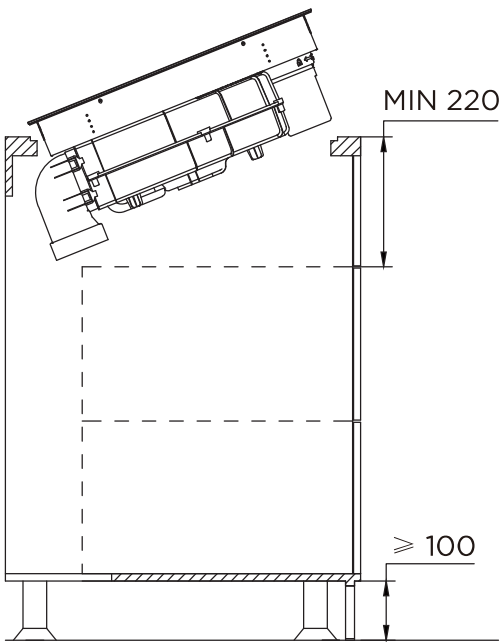


2. Install the water cup and adapter

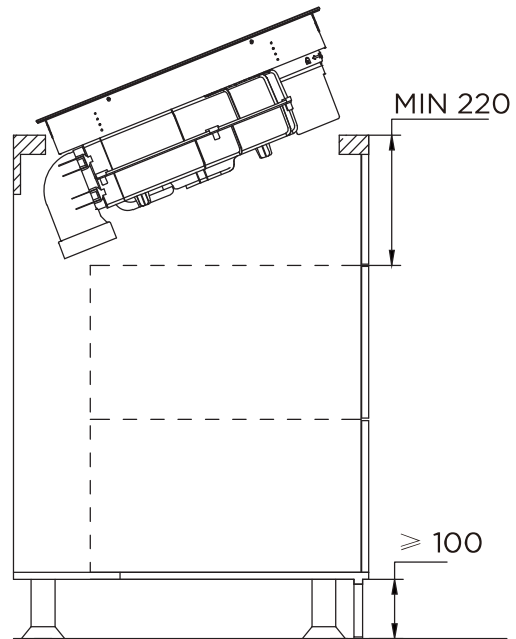


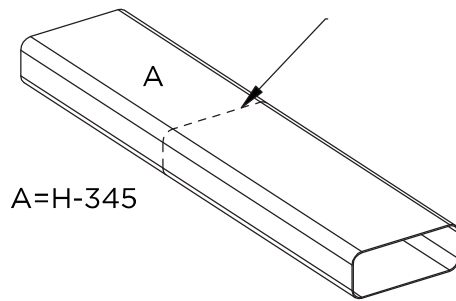
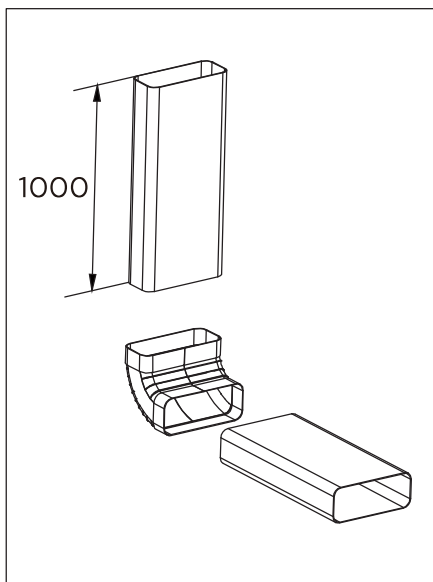
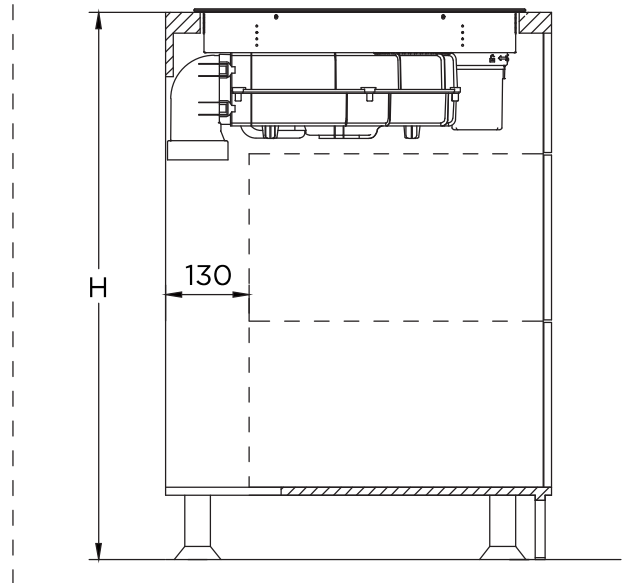
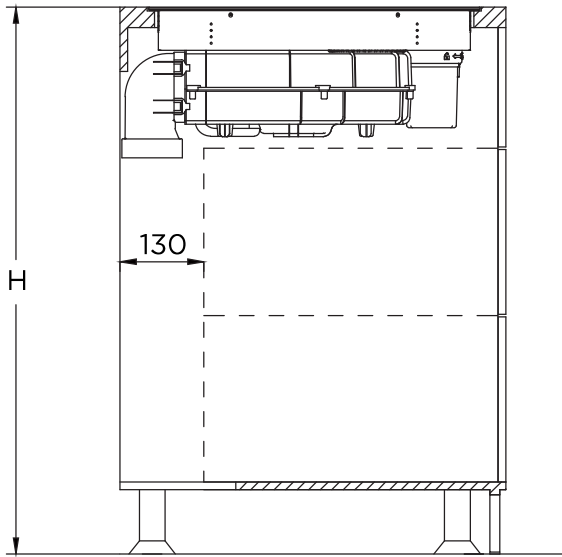
Please glue and fix after installation

Put the whole machine in the cabinet and adjust the product

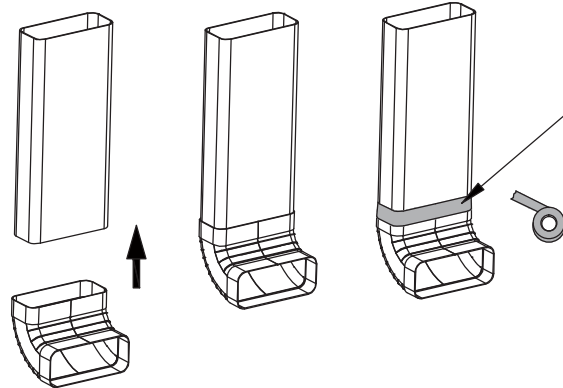


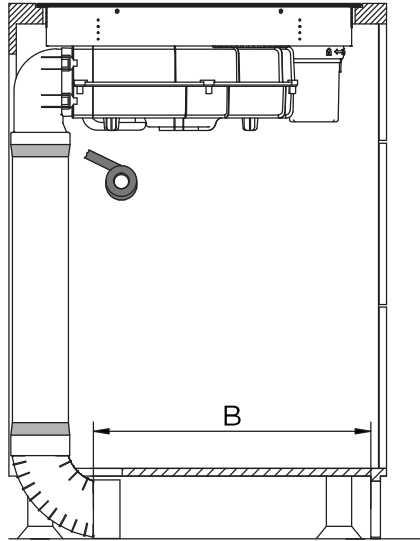
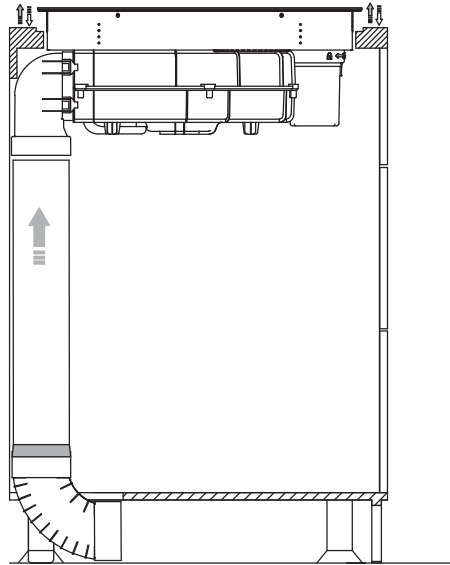
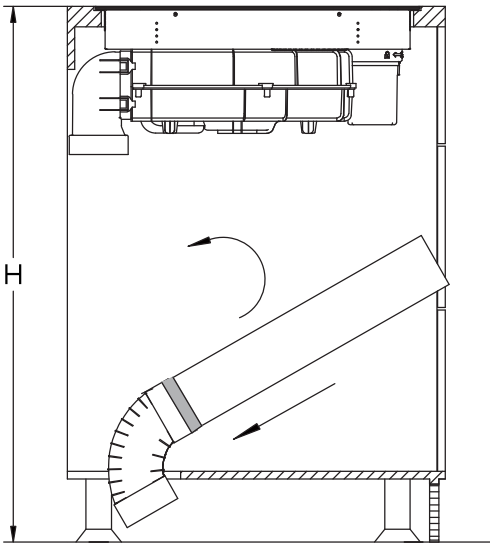
Put the whole machine in the cabinet and adjust the product



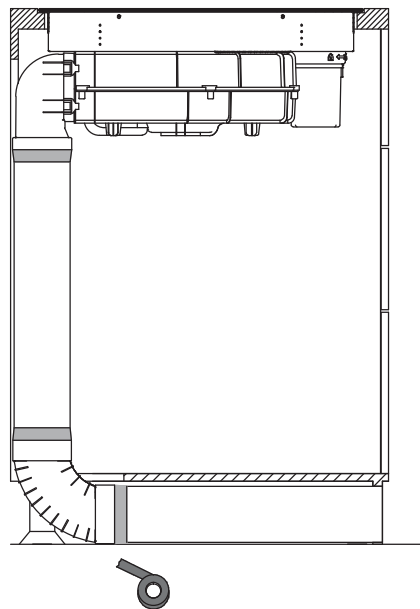
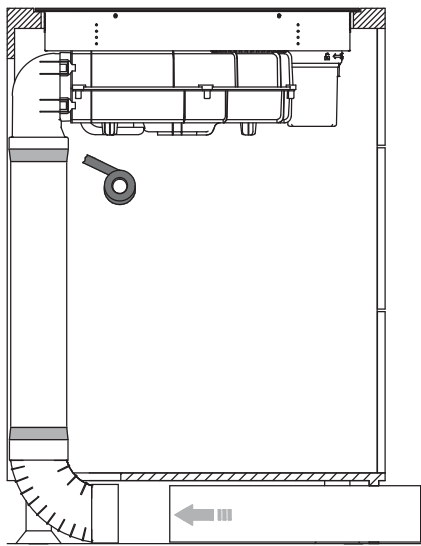
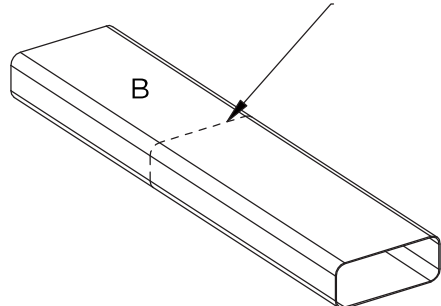


Naber S04024
Naber S04020



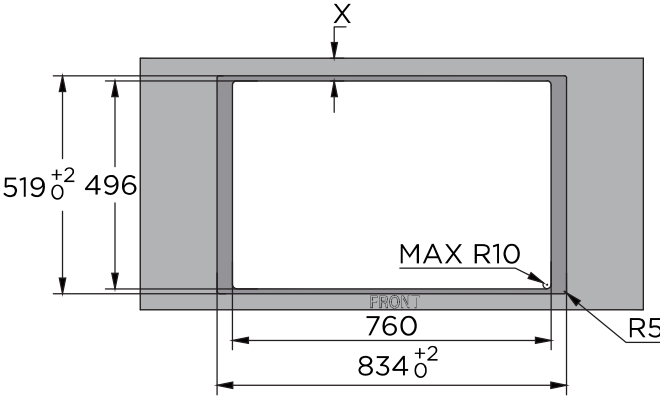


Use a saw to cut the pipe to the required length



Cabinet opening size

INSTALLATION FLUSH TOP



INSTALLATION STANDARD

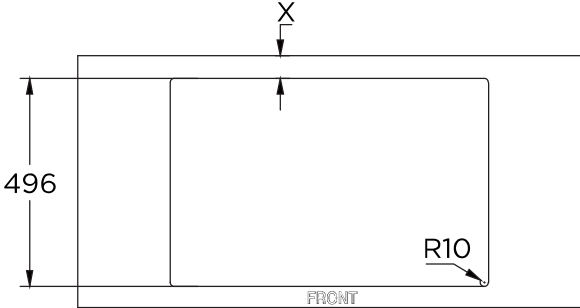
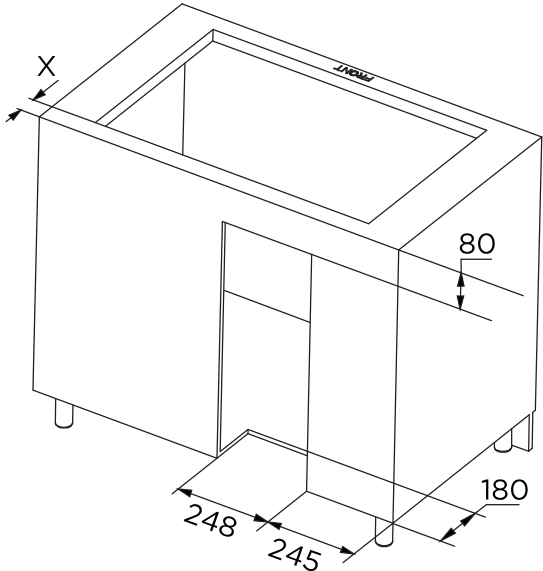


Table width(Y)	X
600-650mm	54mm
≥650mm	65mm

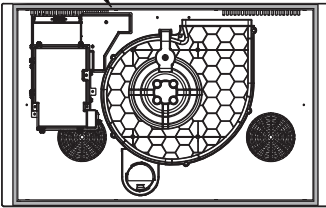




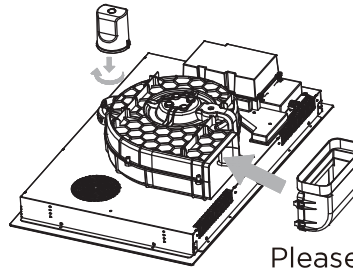
External circulation

1. Stick sponge strips

Sponge strip



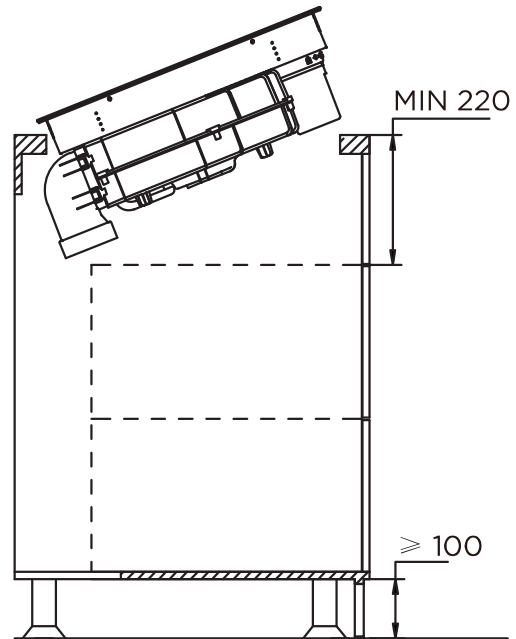
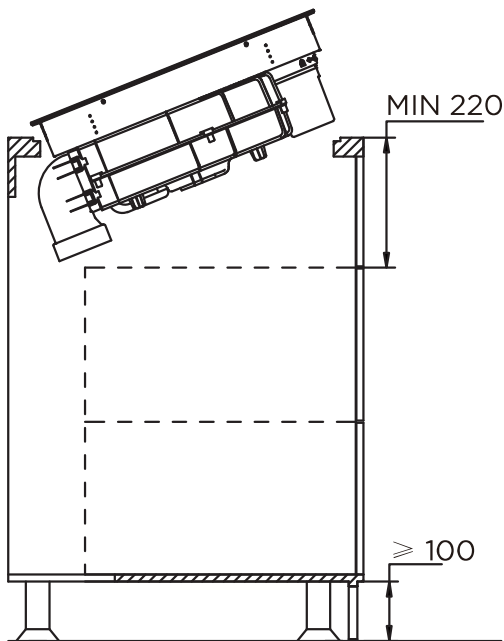
2. Install the water cup and 90 ° adapter

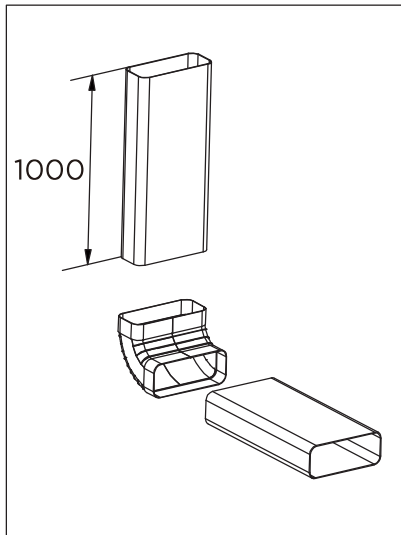
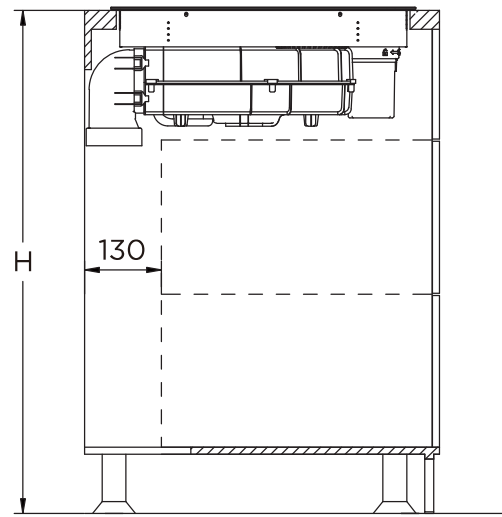
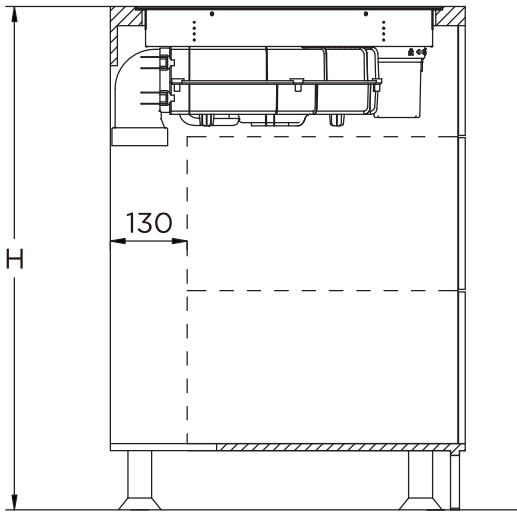


Please glue and fix after installation

Put the whole machine in the cabinet and adjust the product

Put the whole machine in the cabinet and adjust the product

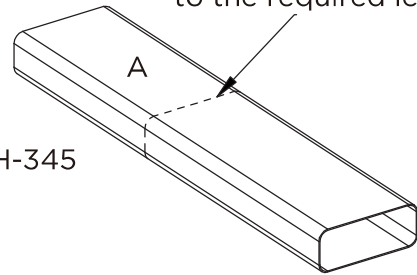




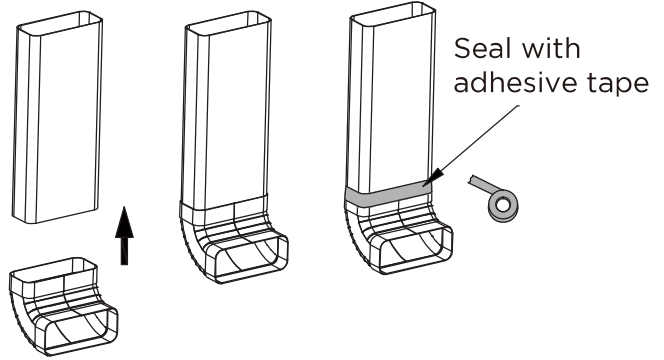
↓ Naber S04024
Naber S04020

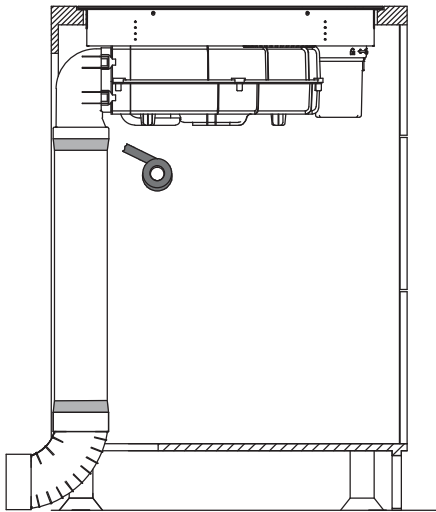
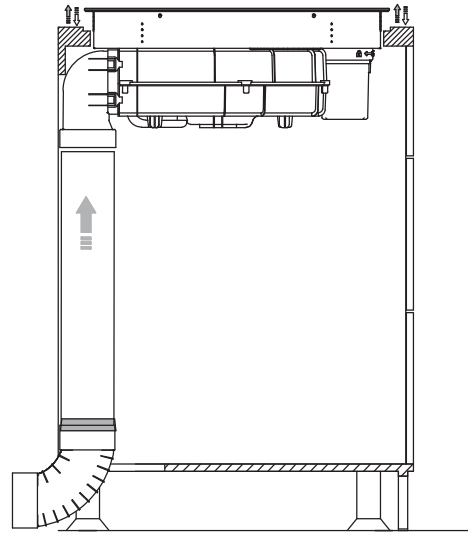
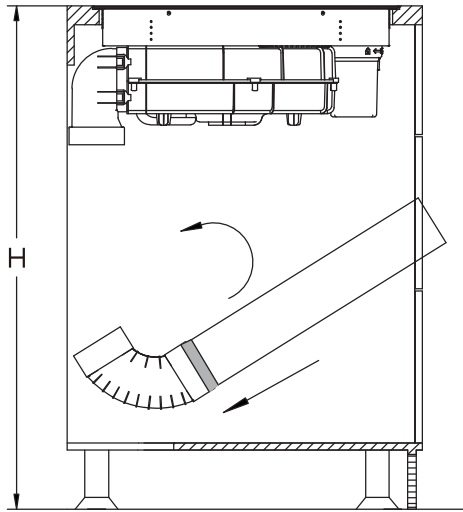


Use a saw to cut the pipe to the required length

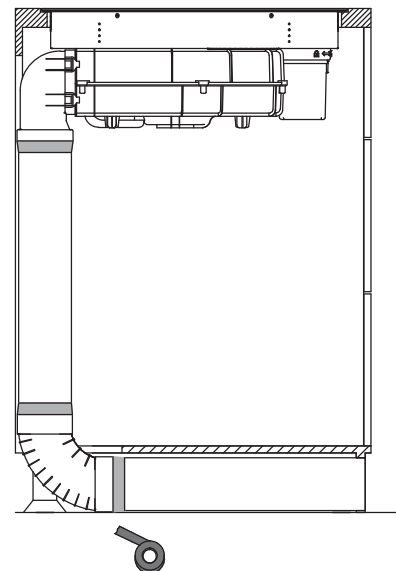
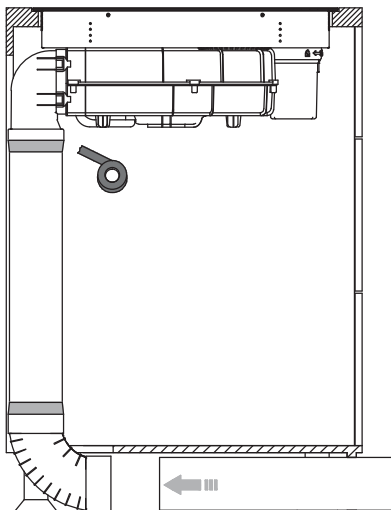
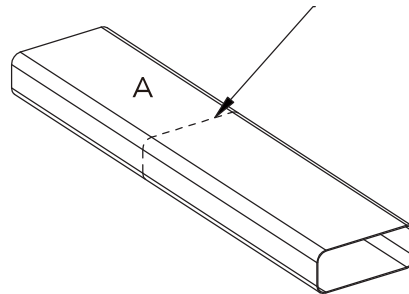


$$A = H - 345$$

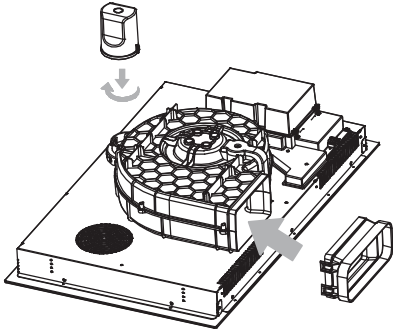




Use a saw to cut the pipe to the required length



Scheme I: Installation of water cup and straight adapter



Please glue and fix after installation.

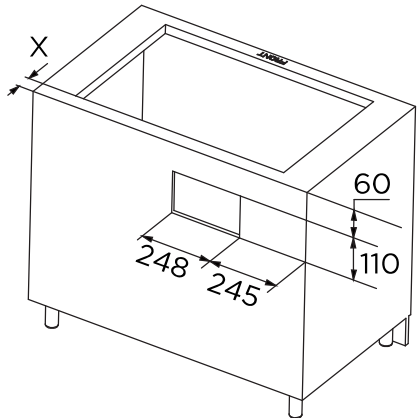
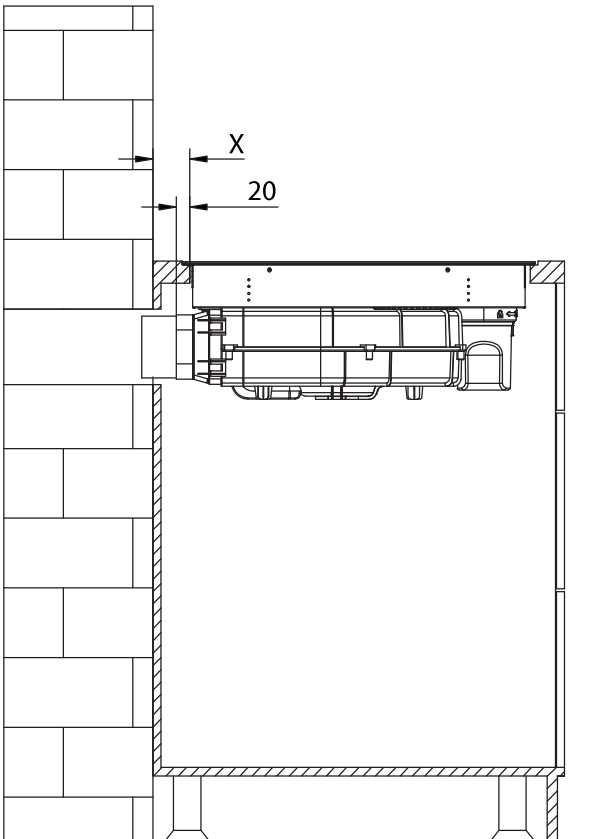
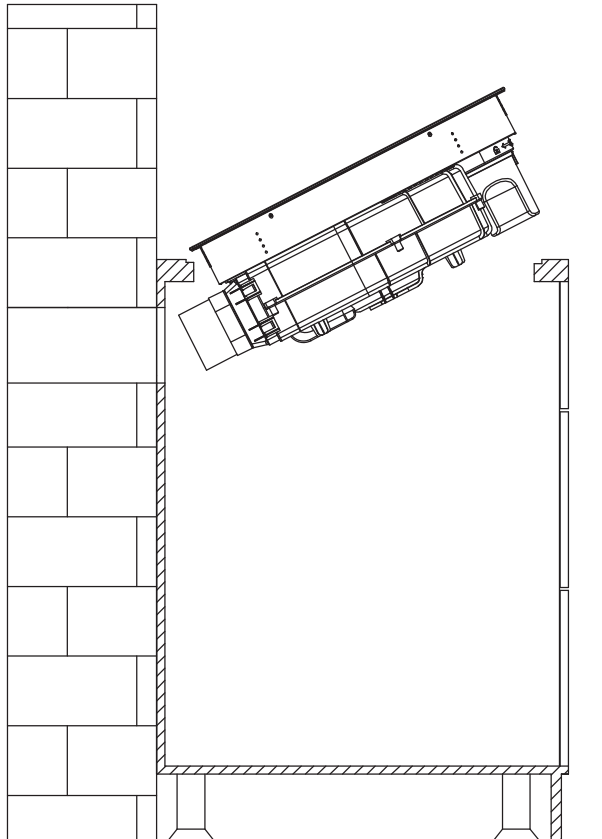
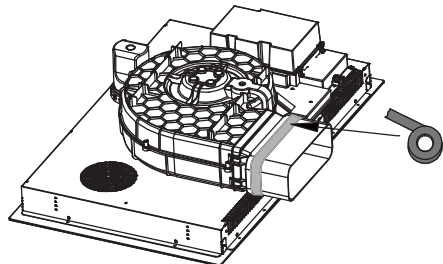
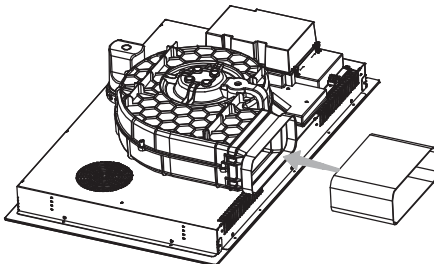
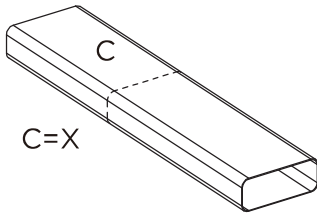
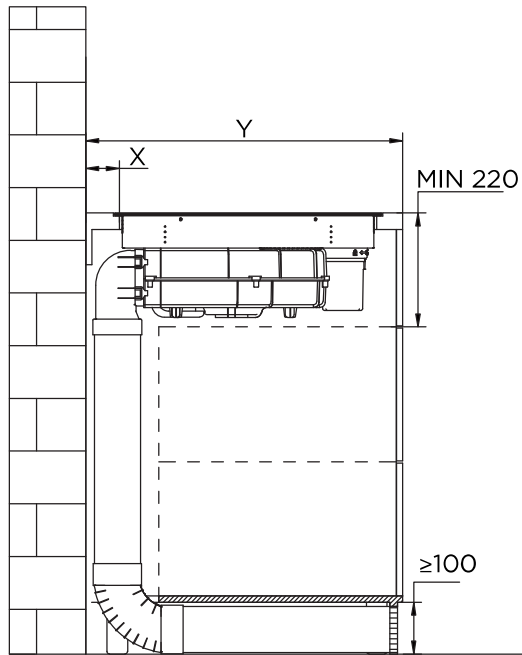


Table width(Y)	X
600-650mm	54mm
≥650mm	65mm

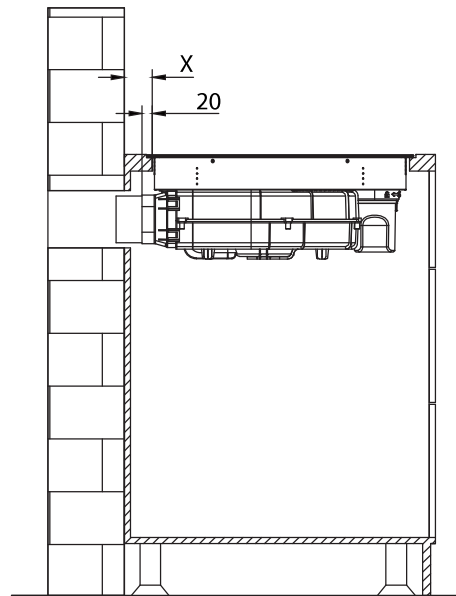
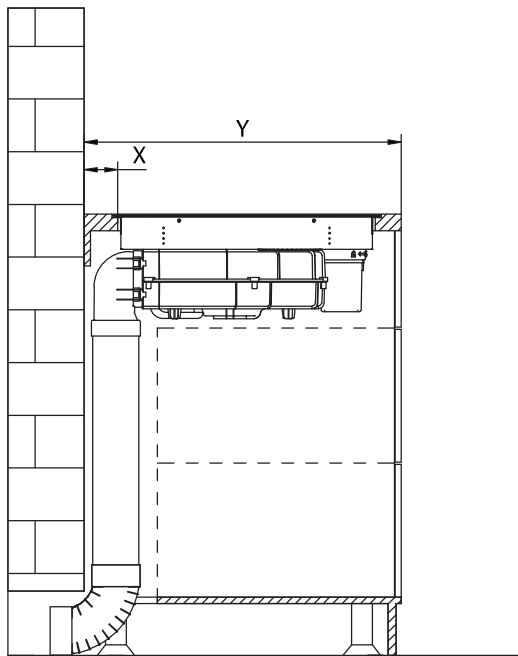




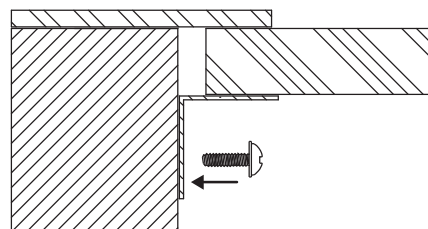
Internal circulation



External circulation



After the product is installed, install four supports on both sides of the product to prevent the product from falling off.



Electrical schematic diagram

	Electrical connection	Connection diagram home side	Power Cord
220-240V~			5G2.5mm ² H07RN-F L1:BK L2:BN N1:GY N2:BU PE:GN/YE
380-415V~			5G2.5mm ² H07RN-F L1:BK L2:BN N1:GY N2:BU PE:GN/YE
L1,L2=Phase, N1,N2=Neutral, PE=Earth			
Diameter of the connecting electric wire must exceed 4.0mm ²			