

Series 4, built-in fridge-freezer with freezer at bottom, 177.2 x 54.1 cm, sliding hinge KIN86VSE0



KSZB6R00 Bottle Rack
KSZGGM00 Butter box

- **Eco Airflow:** optimal air circulation and even temperature level in the cooling area.
- **LED Lighting:** keep your groceries in perfect view.
- **No Frost:** You'll never have to defrost your freezer again.

Energy Efficiency Class (Regulation (EU) 2017/1369):	E
Average annual energy consumption in kilowatt hour per year (kWh/a):	234 kWh/annum
Sum of volume of frozen compartments:	76 l
Sum of volume of chill compartments:	184 l
Airborne acoustical noise emissions :	35 dB(A) re 1 pW
Airborne acoustical noise emission class:	B
Built-in / Free-standing:	Built-in
Number of compressors:	1
Number of independent cooling systems:	1
Width of the appliance:	541 mm
Height:	1772 mm
Depth of the product:	548 mm
Net weight:	53.0 kg
Required niche size for installation (HxWxD):	1775x560x550 mm
Door panel options:	Not possible
Door hinge:	Right reversible
Number of Adjustable Shelves in fridge compartment:	2
Shelves for Bottles:	Yes
Frost free system:	Freezer
Interior ventilator:	No
Reversible Door Hinge:	Yes
Length electrical supply cord:	230 cm
Noise level:	35 dB(A) re 1 pW
Multi-Flow Air Tower:	No
Fast cooling switch:	Yes
Fast freezing function:	Yes
Temperature Controlled Drawer:	No
Humidity Control Drawer:	No
Number of Door Bins - Refrigerator:	3
Door bin adjustability - Refrigerator:	Yes
Tilt-out door bins in fridge:	Yes
Gallon wide door bins:	Yes
Number of Gallon storage:	1
Motorized Shelf:	No
Material of the shelves:	Safety glass
Door opened indicator freezer:	No
Automatic motor-driven ice-maker:	No
Fuse protection:	10 A
Voltage:	220-240 V
Frequency:	50 Hz
Storage Period in Event of Power Failure (h):	10 h
Door panel options:	Not possible
Noise level:	35 dB(A) re 1 pW
ENERGY STAR® certified:	No
Plug type:	Gardy plug w/ earthing
Required cutout/niche size for installation (in):	X
Dimensions of the packed product:	72.45 x 24.01 x 25.19
Net weight:	117.000 lbs
Gross weight:	126.000 lbs



Series 4, built-in fridge-freezer with freezer at bottom, 177.2 x 54.1 cm, sliding hinge KIN86VSE0

- easy Installation

Performance and consumption

- EU19_EEK_D: E
- Total Volume : 260 l
- Net Fridge Volume : 184 l
- Net Freezer Volume : 76 l
- Freezing capacity 24h : 4 kg
- Annual Energy Consumption: 234 kWh/a
- Climate Class: SN-ST
- yes
- Noise Level : 35 dB
- Temperature rise time : 10 H

Design and Styling

- LED interior light in fridge section

Convenience & Safety

- LED electronic control
- Super Cooling: automatic deactivation
- Super Freezing: Manual/automatic activation
- Optical and acoustic door open warning system

Fridge Compartment

- 4 safety glass shelves, of which 3 are height adjustable
- 3 door bins

Freshness System

Freezer Section

- NoFrost - never again defrosting!
- 3 transparent freezer drawers

Dimensions

- Dimensions (H x W x D): 177.2 cm x 54.1 cm x 54.8 cm
- Niche Dimension (H x W x D): 177.5 cm x 56.0 cm x 55.0 cm

Technical Information

- Door right hinged, reversible
- Nominal voltage: 220 - 240 V

Accessories

- ice cube tray

Country Specific Options

- Based on the results of the standard 24-hour test. Actual consumption depends on usage/position of the appliance.

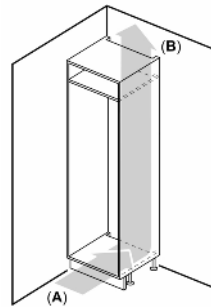
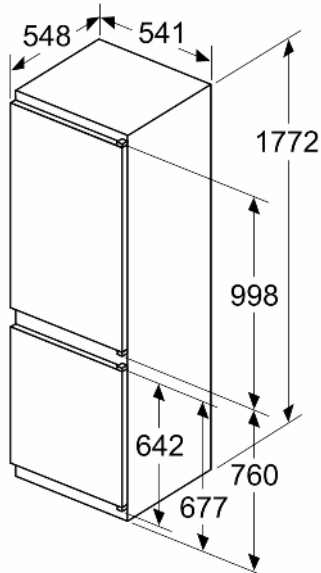
Environment and Safety

Installation

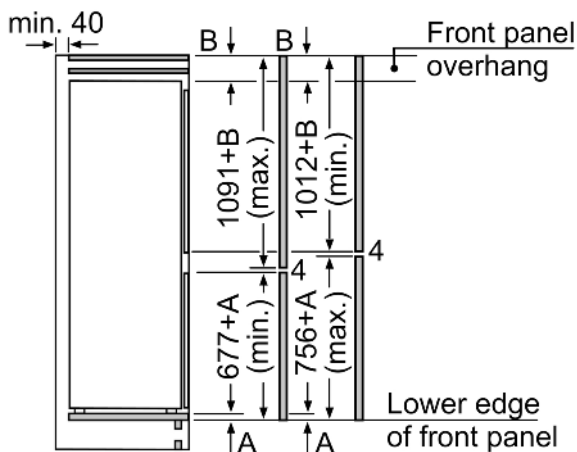
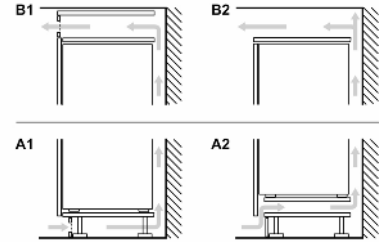
General Information

**Series 4, built-in fridge-freezer with
freezer at bottom, 177.2 x 54.1 cm,
sliding hinge
KIN86VSE0**

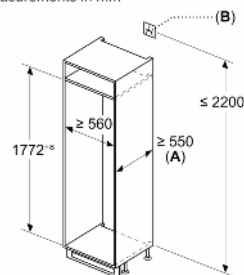
measurements in mm



A: Air inlet $\geq 200 \text{ cm}^2$; Ventilation options
B: Air outlet $\geq 200 \text{ cm}^2$; Ventilation options



Measurements in mm



A: $\geq 560 \text{ mm}$ (recommended)
B: Socket

The specified unit door dimensions
are valid for a door gap of 4 mm.

measurements in mm