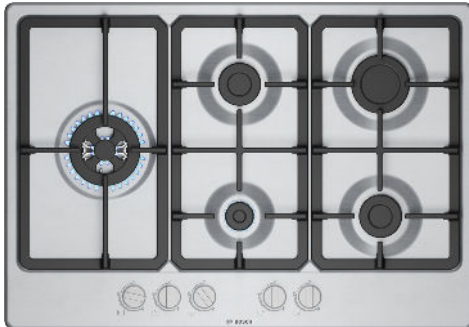


## Series 4, Gas hob, 75 cm, Stainless steel PGM7B5K90



HEZ298105	Simmer plate
HEZ298107	Wok ring
HEZ298114	Small pot support
HEZ32WA00	Wireless food thermometer
HEZ9SE040	4 pieces Set
HEZ9SE060	6 pieces Set

- **Dishwasher-suitable pan supports:** make cleaning your hob even easier.
- **Continuous cast-iron pan support:** for high firmness and stability of cookware.
- **Safety gas cut-off:** ensures safety by instantly cutting off gas supply if the flame goes out.
- **Wok burner:** quick boiling or precise simmering.
- **Sword knobs:** firmer grip and easy control of your gas hob.

Product name/family: .....gas hob w integrated controls  
 Built-in / Free-standing: ..... Built-in  
 Energy input: .....Gas  
 Total number of positions that can be used at the same time: ..... 5  
 Type of control setting devices: .....sword knobs  
 Required niche size for installation (HxWxD): 45 x 560-560 x 480-490 mm  
 Width of the appliance: ..... 750 mm  
 Dimensions: ..... 54.2x750x520 mm  
 Dimensions of the packed product (HxWxD): ..... 145 x 793 x 597 mm  
 Net weight: ..... 12.2 kg  
 Gross weight: ..... 14.1 kg  
 Residual heat indicator: .....No  
 Location of control panel: ..... Front panel  
 Basic surface material: ..... Stainless steel  
 Color of surface: ..... Stainless steel  
 Length electrical supply cord: ..... 100 cm  
 Knob Material: .....Plastic  
 Sealed Burners: ..... No  
 Type of pan support: ..... Elongated cast iron pan support  
 Power of 2nd heating element (kW): .....3300.0 W  
 Power of 4th heating element (kW): ..... 1750.00 W  
 Power of 5th heating element (kW): ..... 3000 W  
 Connection rating: ..... 1 W  
 Gas connection rating: ..... 10800 W  
 Fuse protection: .....3 A  
 Voltage: ..... 220-240 V  
 Frequency: ..... 50; 60 Hz  
 Energy input: .....Gas  
 Gas type preset: ..... Nat gas H/E/(L) 20 (25) mbar  
 Certified gas types: ..... Liquid gas G30,31 28-30/37mbar  
 Plug type: .....No plug (electrical connection by electrician)  
 Appliance Dimensions (h x w x d) (in): ..... x x  
 Dimensions of the packed product: ..... 5.70 x 23.50 x 31.22  
 Net weight: ..... 27.000 lbs  
 Gross weight: ..... 31.000 lbs  
 Total number of positions that can be used at the same time: ..... 5  
 Length electrical supply cord: ..... 100 cm  
 Required niche size for installation (HxWxD): 45 x 560-560 x 480-490 mm  
 Dimensions: ..... 54.2x750x520 mm  
 Dimensions of the packed product (HxWxD): ..... 145 x 793 x 597 mm  
 Net weight: ..... 12.2 kg  
 Gross weight: ..... 14.1 kg



## Series 4, Gas hob, 75 cm, Stainless steel PGM7B5K90

---

### Design

- Stainless steel surface
- Cast iron continuous pan supports

### Usage convenience

- Sword control knobs, front: easily access knobs in front with strong grip for effortless turning.
- 1 Hand ignition: just push and turn the knob to ignite the flame.

### Burners and power

- 5 Gas burners
- Left: Wok burner up to 3.3 KW (depending on gas type)
- Center front: Economy burner up to 1 KW (depending on gas type)
- Center rear: Standard burner up to 1.75 KW (depending on gas type)
- Right rear: Rapid burner up to 3 KW (depending on gas type)
- Right front: Standard burner up to 1.75 KW (depending on gas type)

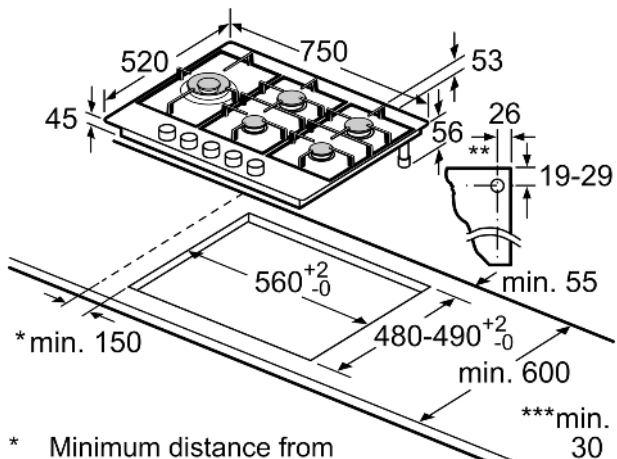
### Safety

- Flame failure safety device: prevents unwanted gas flow when flame goes out.

### Installation (gas types & measurements)

- Usable for: NG H/E 20mbar, E+ 20/25mbar
- Natural gas H 25 mbar (HU) Natural gas L 25 mbar (NL) Liquid gas G30,31 28-30/37mbar Liquid gas G30 37 mbar (PL) Liquid gas 50 mbar
- Preset for natural gas (20mbar)
- Nozzle set for Liquid gas nozzles (28-30/37mbar) included. Nozzles for all other gas types can be ordered via the customer service. For nozzle change, please contact the customer service.
- Dimensions of the product (HxWxD mm): 54.2 x 750 x 520
- Required niche size for installation (HxWxD mm) : 45 x 560 x (480 - 490)
- Min. worktop thickness: 20 mm
- Power cord: 1 m
- Connected load: 10.8 KW

**Series 4, Gas hob, 75 cm, Stainless steel**  
**PGM7B5K90**



- \* Minimum distance from the hob cut-out to the wall
  - \*\* Position of gas connection in the cut-out
  - \*\*\* With fitted oven underneath, possibly more; see space requirements for the oven
- measurements in mm