

**Series 8, fully-integrated dishwasher,
60 cm
SMV8YCX02E**



SGZ0BI01 decorative strips stainless steel 81,5cm, SGZ0IC00 Small Item Clip for upper rack, SGZ1010 inlet and outlet hose extension, SGZ6BH00 Bottle Holder grey, SGZ8BI00 Connection rail for divided furniture, SMZ1051EU Mains cable with EU-Plug 5m, SMZ2014 Rack insert for stemware dishwasher, SMZ2056 Attachment door, stainless steel, SMZ5000 Dishwashing aid set, SMZ5003 Retractable hinge f. high corpus dimens., SMZ5035 Decor conversion kit, stainless steel, SMZ5100 Vario-cutlery basket, SMZ5300 GlassSecure Tray

- **PerfectDry:** 2x better drying results on plastics with PerfectDry dishwashers*.
- **Intelligent Programme:** Individually adapts the washing and drying cycle based on your feedback.
- **Max Flex Pro baskets:** highest flexibility and protection for your dishes, with superior sliding performance.
- **Silence Plus:** remarkably quiet at 44dB.
- **Home Connect:** home appliances with smart connectivity for an easier everyday life

Energy Efficiency Class (Regulation (EU) 2017/1369): A
Energy Consumption for 100 cycles Eco Programme: 54 kWh/100 cycles
Maximum number of place settings: 14
The water consumption of the eco programme in liters per cycle:	9.5 l
Programme duration: 4:55 h
Airborne acoustical noise emissions :44 dB(A) re 1 pW
Airborne acoustical noise emission class:B
Cleaning performance:A
Water consumption:9.5 l
Total annual water consumption 220 days:2090 l
Built-in / Free-standing: Built-in
Removable top: No
Door panel options: Not possible
Height of removable worktop: 0 mm
Height of the appliance: 815 mm
Adjustable feet: Yes - all from front
Maximum adjustability feet: 60 mm
Adjustable plinth: Both horizontal and vertical
Net weight:42.8 kg
Gross weight: 45.0 kg
Connection rating: 2400 W
Fuse protection:10 A
Voltage: 220-240 V
Frequency: 50; 60 Hz
Length electrical supply cord: 175 cm
Plug type: Gardy plug w/ earthing
Length inlet hose: 165 cm
Length outlet hose: 190 cm
Hidden heating element: Yes
Water protection system description: Triple water protection 24h
Child safety devices:No
Water softener:Yes
Top basket type: Maximum flexibility with Max Flex Pro basket
Adjustable upper basket:Rackmatic 3-stage
Bottom basket type: R4
3rd Rack:VarioDrawer Pro
Optional accessories:	.. SGZ0BI01, SGZ0IC00, SGZ1010, SGZ6BH00, SGZ8BI00, SMZ1051EU, SMZ2014, SMZ2056, SMZ5000, SMZ5003, SMZ5035, SMZ5100, SMZ5300
Included accessories : Vapor barrier plate
Number of place settings: 14
Dimensions of the product (HxWxD):815 x 598 x 550 mm
Dimensions of the packed product (HxWxD): 880 x 660 x 670 mm



Series 8, fully-integrated dishwasher, 60 cm SMV8YCX02E

BOSCH - Header 1

- Energy Efficiency Class¹: A
- Energy² / Water³: 54 kWh / 9.5 litres
- Capacity: 14 place settings
- Programme duration⁴: 4:55 (h:min)
- Noise level: 44 dB(A) re 1 pW
- Noise Efficiency Class: B
- Noise level (silence programme): 43 dB(A) re 1 pW

BOSCH - Header 2

- 8 Programmes: Eco 50 °C, Auto 45-65 °C, Intelligent, Intensive 70 °C, Express 60° 60 °C, Glass 40 °C, Silence 50 °C, Pre-Rinse
- Favourite Program
- 5 special options: Remote Start, Extra Dry, Intensive Zone, Hygiene+, SpeedPerfect+
- Machine Care

BOSCH - Header 3

- Zeolite-Drying
- AquaSensor
- DosageAssist
- EcoSilence Drive
- Detergent Automation
- Self-cleaning filter system with 3-fold corrugated filter
- Interior tub material: Stainless Steel

BOSCH - Header 4

- Max Flex Pro Baskets with red coloured touchpoints
- Extra Clean Zone
- VarioDrawer Pro
- Rackmatic height-adjustable top basket (3 stage)
- Easy Slide pullout system on upper rack
- Low friction wheels on bottom basket
- Colored anti-slip protection strips in upper rack
- Rack Stopper to prevent derailing of bottom basket
- 6 foldable plate racks in top basket
- 8 FlexTines in bottom basket
- 2 cup shelves with soft silicone front part in top basket
- 2 cup shelves in bottom basket
- Glass rack in bottom basket

BOSCH - Header 5

- Home Connect enabled via WLAN
- inside
- Touch Control (metallic)
- Push button top controls
- Panel legend: Plain text (english)
- EmotionLight
- TimeLight
- Real-time clock
- Acoustic end of cycle indicator
- Electronic delay timer: 1-24 hours

BOSCH - Header 6

- AquaStop: Bosch warranty in case of water damage – for the lifetime of the appliance.*
- Precise glass protection technology

BOSCH - Header 7

- incl. salt filling funnel
- Incl. Steam protection plate

BOSCH - Header 8

- Product dimensions (HxWxD): 81.5 x 59.8 x 55 cm

¹ Scale of Energy Efficiency Classes from A to G

² Energy consumption in kWh per 100 cycles (in programme Eco 50 °C)

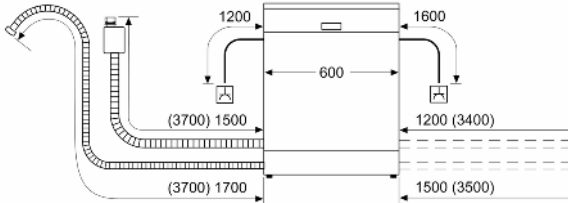
³ Water consumption in litres per cycle (in programme Eco 50 °C)

⁴ Duration of programme Eco 50 °C

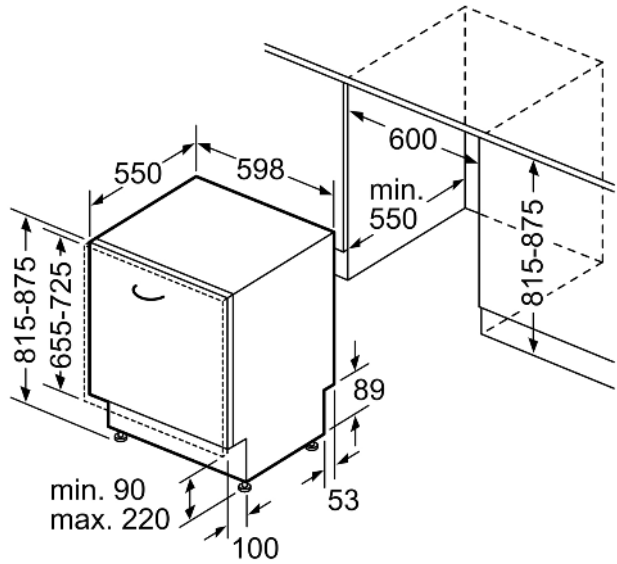
* Please find warranty terms under [please insert here the local URL (internet address, e.g. <https://www.bosch-home.com/> but with the direct page with the warranty terms)

**Series 8, fully-integrated dishwasher,
60 cm
SMV8YCX02E**

measurements in mm



⊕ socket
() values with extension kit



measurements in mm