

Series 4, built-in fridge-freezer with freezer at bottom, 193.5 x 69.1 cm, sliding hinge KBN96VSE0



Optional accessories

KSZGGM00 Butter box

Built-in fridge freezer with XXL capacity and VitaFresh <0°C>: big boost in fridge capacity and ideal storage conditions for all your food.

- **Built-in XXL:** get 45% more volume. Extra wide and extra high for hassle-free storage.³
- **VitaFresh XXL <0°C>:** Keeps food fresh for longer in extra-large climate-controlled fridge drawers.
- **No Frost:** you'll never have to defrost your freezer again.
- **LED lighting:** keep your groceries in perfect view.
- **Door Open Alarm:** reminds you if the door is not closed properly.

Technical Data

Energy Efficiency Class (Regulation (EU) 2017/1369) ¹ : E
Average annual energy consumption in kilowatt hour per year (kWh/a) ² : 256 kWh/annum
Sum of volume of frozen compartments: 98 l
Sum of volume of chill compartments: 285 l
Airborne acoustical noise emissions : 34 dB(A) re 1pW
Airborne acoustical noise emission class: B
Built-in / Free-standing: Built-in
Number of compressors: 1
Number of independent cooling systems: 2
Width of the appliance: 691 mm
Height: 1935 mm
Depth of the product: 548 mm
Net weight: 67.4 kg
Required niche size for installation (HxWxD): 1940x710x560 mm
Door panel options: Not possible
Door hinge: Right reversible
Number of Adjustable Shelves in fridge compartment: 4
Shelves for Bottles: Yes
Frost free system: Freezer
Interior ventilator: No
Reversible Door Hinge: Yes
Length electrical supply cord: 230.0 cm
Multi-Flow Air Tower: No
Fast cooling switch: Yes
Fast freezing function: Yes
Temperature Controlled Drawer: No
Humidity Control Drawer: No
Number of Door Bins - Refrigerator: 4
Door bin adjustability - Refrigerator: Yes
Tilt-out door bins in fridge: No
Gallon wide door bins: Yes
Number of Gallon storage: 1
Motorized Shelf: No
Material of the shelves: Safety glass
Door opened indicator freezer: Yes
Automatic motor-driven ice-maker: No
Fuse protection: 10 A
Voltage: 220-240 V
Frequency: 50 Hz
Storage Period in Event of Power Failure (h): 12 h
Door panel options: Not possible
ENERGY STAR® certified: No
Plug type: GARDY plug w/ earthing
Required cutout/niche size for installation (in): x
Dimensions of the packed product: 79.52 x 30.31 x 25.19
Net weight: 149.000 lbs
Gross weight: 163.000 lbs

¹ Scale of Energy Efficiency Classes from A to G
² Based on the results of the standard 24-hour test. Actual consumption depends on usage/position of the appliance.
³ Comparison between an XXL fridge-freezer combination (KBN96xxx) and a standard-sized model (KIN86xxx).



Series 4, built-in fridge-freezer with freezer at bottom, 193.5 x 69.1 cm, sliding hinge KBN96VSE0

Built-in fridge freezer with XXL capacity and VitaFresh <0°C>: big boost in fridge capacity and ideal storage conditions for all your food.

- NoFrost
- Sliding hinge, Soft closing: no

Performance and consumption

- Energy Class: E
- Total Volume: 383 l
- Annual Energy Consumption: 256 kWh/a
- Noise Level : 34 dB , B Class

Design and Styling

- LED with Soft Start in fridge section
- Built-in-refrigerator 2-door, Bottom Fre

Convenience & Safety

- NoFrost
- Fast Freeze Facility
- Wi-Fi
- Connected appliance: Remote Monitoring and Control, iService Remote
- Separate, electronic temperature control, LED indicators
- Two Cooling Systems
- Super Cooling: automatic deactivation
- Acoustic warning system, Acoustic alarm if door left open, Optical and acoustic door open warning system
- Automatic defrost in fridge section

Fridge Compartment

- Net Fridge Volume : 285 l
- 5 PC safety glass shelves of which 4 are height adjustable
- 1 door bin(s) high, 3 door bin(s) small
- Bottle storage: Bottle grid

Freshness System

- 1 VitaFresh drawer with humidity control - Fruits and vegetables retain vitamins and stay fresh for longer.
- 1 VitaFresh <0°C> box - fish and meat stay fresh for longer

Freezer

- Net Freezer Volume : 98 l
- Freezing capacity 24h: 9.5 kg
- Temperature rise time : 12 H
- 3 transparent freezer drawers

Dimensions

- Appliance Dimensions (H x W x D): 193.5 cm x 69.1 cm x 54.8 cm
- Niche Dimension (H x W x D): 194.0 cm x 71.0 cm x 56.0 cm

Technical Information

- Door right hinged, reversible
- Length of power cord: 230 cm

- Climate Class: SN-ST
- Nominal voltage: 220 - 240 V

Accessories

- ice cube tray
- ice cube tray

Country Specific Options

- Based on the results of the standard 24-hour test. Actual consumption depends on usage/position of the appliance.

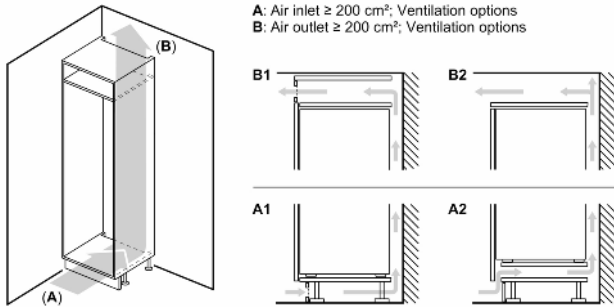
Environment and Safety

Installation

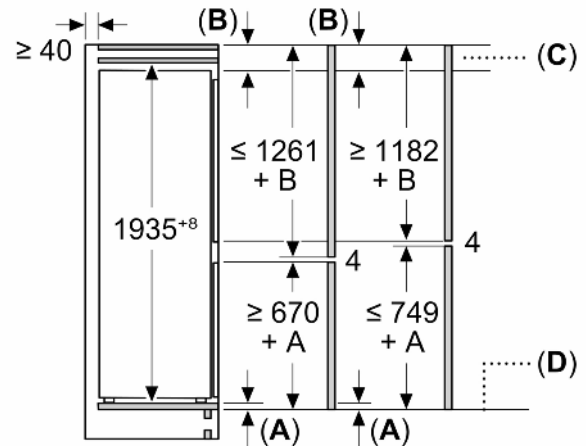
General Information

- Without Illumination
- Matter Product ID: Cooling with SMM M2

**Series 4, built-in fridge-freezer with
freezer at bottom, 193.5 x 69.1 cm,
sliding hinge
KBN96VSE0**



Measurements in mm



C: Front panel overhang

D: Lower edge of front panel

Measurements in mm

