

SAMSUNG

Warming Drawer

NL20T8100WK/UR

Overview

Outside (WxHxD): 595x150x556mm

Usable Capacity: 25 L

Weight (Net): 16.3 kg

Features

Type of Controls: Knob Dial

Defrost (Auto / Power / Sensor)

Light (Lamp) On/Off

Materials/Finishes

Oven Type: Warming Drawer

Oven Colour: Clear Glass (Black)

Oven Door Glass: Clear Glass (Black)

Door Type: Push & Pull door

Cooking Mode

Others Function: Temp. Range 30-80°C

Power/Ratings

Output Power (Max): 420 W

Drawer

Warm. Drawer Temp. Settings

Rail

Weights/Dimensions

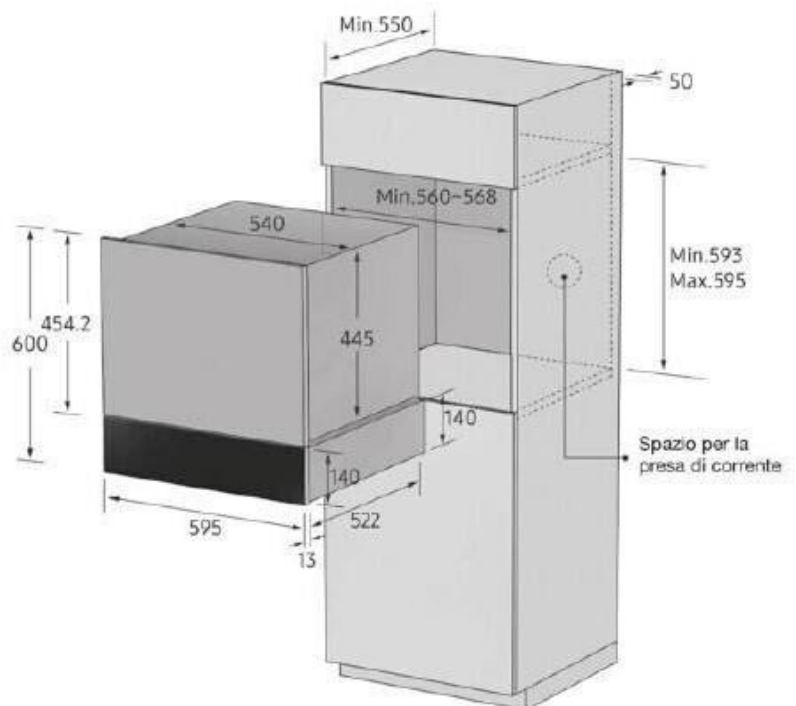
Outside (WxHxD): 595x150x556mm

Cutout (WxHxD): 540x140x535 mm

Usable Capacity: 25 L

Weight (Net): 16.3 kg

Weight (Gross): 16 kg



Le misure si intendono in mm