

**Series 2, Built-in oven, 60 x 60 cm,
Black
HBA572BB4**



Perfect results: Pyrolytic self-cleaning for automatic oven cleaning.

- **AutoPilot 10:** every dish is a perfect success thanks to 10 pre-set automatic programmes.
- **LED Touch Control:** simple access to heating modes, temperature and extra functions via touch buttons.
- **3D Hotair:** even heat distribution for perfect results on up to three levels.
- **Energy Efficiency Class A+:** thanks to improvement of the oven construction you can save energy while cooking.

1 x combination grid, 1 x universal pan

HEZ327000 Pizza stone, HEZ32WA00 Wireless food thermometer, HEZ530000 Half tray, HEZ531010 Baking tray, non-stick ceramic coated, HEZ532010 Universal pan, non-stick ceramic coated, HEZ538000 1fold telescopic rail, level independent, HEZ629070 Air Fry & Grill tray, HEZ631070 Baking tray, enamelled, HEZ632070 Multipurpose pan, enamelled, HEZ634000 Baking and roasting grid, HEZ636000 Glass pan, HEZ638000 Full ext rails, level independent, HEZ660060 Strip, HEZ915003 Glass roasting dish, 5,4 L

Gross weight: 37.9 kg
 Built-in / Free-standing: Built-in
 Integrated Cleaning system: Pyrolytic+Hydrolytic
 Required niche size for installation (HxWxD): 585-595 x 560-568 x 550 mm
 Dimensions: 595x594x548 mm
 Dimensions of the packed product (HxWxD): 675x660x690 mm
 Control Panel Material: Glass
 Door Material: Glass
 Net weight: 36.4 kg
 Usable volume of cavity: 71 l
 Heating modes:: Full width grill, Hotair gentle, Hot Air, Conventional heat, Pizza setting, Hot air grilling
 Length electrical supply cord: 120 cm
 Pull-out system: Accessory
 Included accessories: 1 x combination grid, 1 x universal pan
 Broil Element Wattages cavity 1: 2800 W
 Convection Element Wattages cavity 1: 2200 W
 Energy efficiency class: A+
 Energy consumption per cycle conventional (2010/30/EC): 0.94 kWh/cycle
 Energy consumption per cycle forced air convection (2010/30/EQ): 69 kWh/cycle
 Energy efficiency index (2010/30/EC): 81.2 %
 Connection rating: 3600 W
 Fuse protection: 16 A
 Voltage: 220-240 V
 Frequency: 50; 60 Hz
 Plug type: GARDY plug w/ earthing
 Energy input: Electric
 Required cutout/niche size for installation (in): x
 Dimensions of the packed product: 26.57 x 25.98 x 27.16
 Net weight: 80.000 lbs
 Gross weight: 84.000 lbs



Series 2, Built-in oven, 60 x 60 cm, Black HBA572BB4

Perfect results: Pyrolitic self-cleaning for automatic oven cleaning.

Type of oven / heating system:

- Oven with 6 heating methods: 3D hotair, Conventional heat, Hot air grilling, Full width grill, Pizza setting, Hotair gentle
- Temperature range 30 °C - 275 °C
- Cavity volume: 71 l
- Ripped cavity Shelf support rails, smooth

Hook-in racks / rails

- Number of shelf levels: 5 PC
- Accessory

Design:

- Touch control
- Cavity inner surface: enamel anthracite
- Extra large capacity oven

Cleaning:

- Pyrolytic self-cleaning function
- Hydro Clean
- Full glass inner door

Comfort:

- Electronic clock
- Temperature proposal
- Heating-up control
- AutoPilot 10
- Bar handle
- Supporting systems: Programs
- Rapid heating-up
- Halogen interior lighting, Switch for oven illumination
- Integral cooling fan

Accessory:

- combination grid, universal pan

Environment and Safety:

- very low door temperature
- Low door temperature during pyrolitic cleaning
- Quadruple glass door panel glazed CoolTouch door
- Automatic door lock during pyrolysis
- Child lock
- Automatic switch off
- Start-/Stop button

Technical Information

- Length of mains cable: 120 cm
- Nominal voltage: 220 - 240 V
- Total connected load electric: 3.6 KW
- Energy efficiency rating (acc. EU Nr. 65/2014): A+(at a range of energy efficiency classes from A+++ to D)
- Energy consumption per cycle in conventional mode: 0.94 kWh
- Energy consumption per cycle in fan-forced convection mode: 0.69

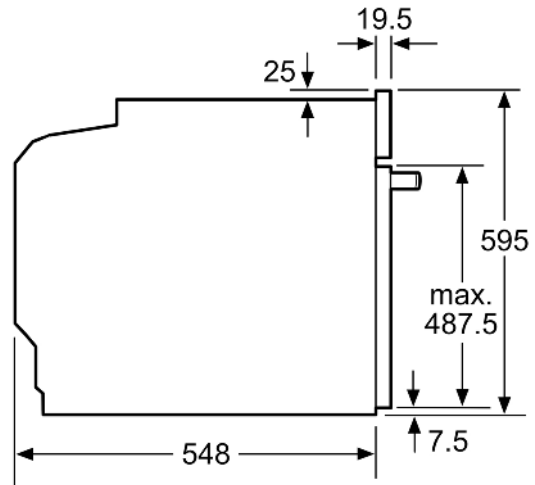
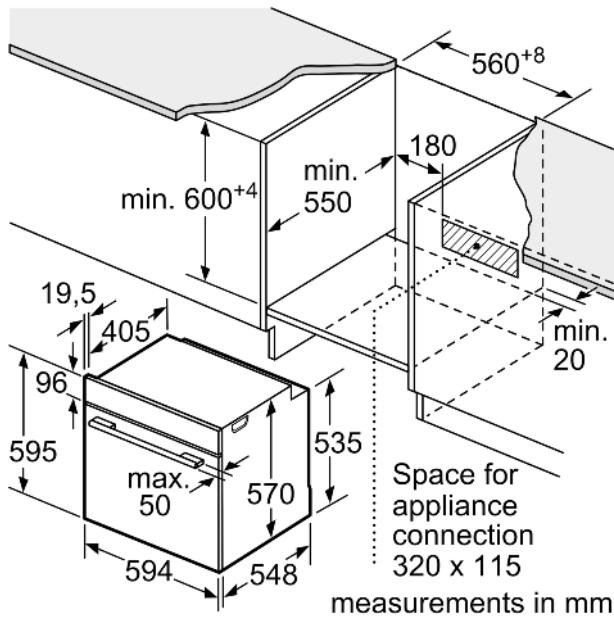
kWh

- Number of cavities: 1
- Heat source: electrical
- Cavity volume: 71 l

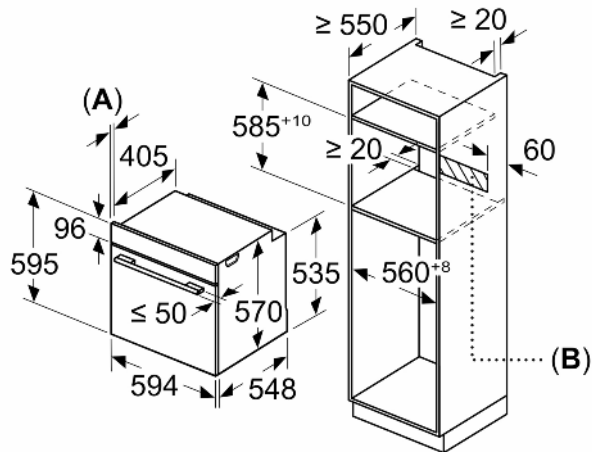
Dimensions:

- Appliance dimension (hxwx): 595 mm x 594 mm x 548 mm
- Niche dimension (hxwx): 585 mm - 595 mm x 560 mm - 568 mm x 550 mm
- "Please reference the built-in dimensions provided in the installation drawing"

**Series 2, Built-in oven, 60 x 60 cm,
Black
HBA572BB4**



Measurements in mm



A: 19.5 mm
B: Space for appliance connection 320 x 115 mm

Installation with a hob.

