

**Series 4, fully-integrated dishwasher,  
45 cm, Variable hinge for special  
installation situations  
SPT4EMX17E**



SGZ8BI00 Connection rail for divided furniture

**Better drying performance even for built  
in kitchens with a high installation.**

- **Efficient Dry:** top-rated drying performance by automatic door opening.
- **Slimline VarioFlex baskets & VarioDrawer:** 3 racks mould to fit everything from teaspoons to pots.
- **Silence Plus:** remarkably quiet at 44dB.
- **Home Connect:** home appliances with smart connectivity for an easier everyday life
- **A perfect design match thanks to Vario Hinge. Leaving no gaps even in kitchens with low plinth heights and high built in solutions.**

Energy Efficiency Class (Regulation (EU) 2017/1369):	..... B
Energy Consumption for 100 cycles Eco Programme:	..... 51 kWh/100 cycles
Maximum number of place settings:	..... 10
The water consumption of the eco programme in liters per cycle:	8.7 l
Programme duration:	..... 3:55 h
Airborne acoustical noise emissions :	.....44 dB(A) re 1 pW
Airborne acoustical noise emission class:	.....B
Cleaning performance:	.....A
Water consumption:	.....8.7 l
Total annual water consumption 220 days:	.....1914 l
Built-in / Free-standing:	..... Built-in
Removable top:	..... No
Door panel options:	..... Not possible
Height of removable worktop:	..... 0 mm
Height of the appliance:	..... 815 mm
Adjustable feet:	..... Yes - all from front
Maximum adjustability feet:	..... 60 mm
Adjustable plinth:	..... Both horizontal and vertical
Net weight:	.....32.1 kg
Gross weight:	..... 33.7 kg
Connection rating:	..... 2400 W
Fuse protection:	.....10 A
Voltage:	..... 220-240 V
Frequency:	..... 50; 60 Hz
Length electrical supply cord:	..... 175 cm
Plug type:	..... Gardy plug w/ earthing
Length inlet hose:	..... 165 cm
Length outlet hose:	..... 205 cm
Hidden heating element:	..... Yes
Water protection system description:	..... Triple water protection 24h
Child safety devices:	.....Yes
Water softener:	.....Yes
Top basket type:	..... High flexibility with Vario Flex basket
Adjustable upper basket:	.....Rackmatic 3-stage
Bottom basket type:	.....R3 45 cm
3rd Rack:	..... VarioDrawer
Optional accessories:	...SGZ0BI02, SGZ1010, SGZ4CB00, SGZ8BI00, SMZ1051EU, SMZ5000, SMZ5300
Included accessories :	..... Vapor barrier plate
Number of place settings:	..... 10
Dimensions of the packed product (HxWxD):	.....880x510x670 mm



## Series 4, fully-integrated dishwasher, 45 cm, Variable hinge for special installation situations SPT4EMX17E

### Better drying performance even for built in kitchens with a high installation.

#### **BOSCH - Header 1**

- Energy Efficiency Class<sup>1</sup>: B
- Energy<sup>2</sup> / Water<sup>3</sup>: 51 kWh / 8.7 litres
- Capacity: 10 place settings
- Programme duration<sup>4</sup>: 3:55 (h:min)
- Noise level: 44 dB(A) re 1 pW
- Noise Efficiency Class: B
- Noise level (silence programme): 43 dB(A) re 1 pW

#### **BOSCH - Header 2**

- 6 programmes: Eco 50 °C, Auto 45-65 °C, Intensive 70 °C, Express 60 °C, Silence 50 °C, Pre-Rinse
- Favourite Program
- 4 special options: Remote Start, Efficient Dry, Intensive Zone, SpeedPerfect+
- Machine Care
- Add-On functions via Home Connect app: HygienePlus, Silence on Demand

#### **BOSCH - Header 3**

- AquaSensor
- DosageAssist
- EcoSilence Drive
- DuoPower spray arms in top basket
- Self-cleaning filter system with 3-fold corrugated filter
- Interior tub material: Stainless Steel

#### **BOSCH - Header 4**

- Rackmatic height-adjustable top basket (3 stage)
- Low friction wheels on bottom basket
- Colored anti-slip protection strips in upper rack
- Rack Stopper to prevent derailing of bottom basket
- 2 foldable plate racks in top basket
- 2 foldable plate racks in bottom basket
- Cup shelf in top basket
- Cup shelf in bottom basket
- Glass rack in bottom basket

#### **BOSCH - Header 5**

- Home Connect enabled via WLAN
- Push button top controls
- Panel legend: Plain text (english)
- InfoLight (red)
- Remaining programme time indicator (min)
- Acoustic end of cycle indicator
- Electronic delay timer: 1-24 hours

#### **BOSCH - Header 6**

- AquaStop: Bosch warranty in case of water damage – for the lifetime of the appliance.\*

- Child-proof door lock (double push to open)
- OpenAssist
- with VarioHinge
- Glass protection technology

#### **BOSCH - Header 7**

- incl. salt filling funnel
- Incl. Steam protection plate

#### **BOSCH - Header 8**

- Product dimensions (HxWxD): 81.5 x 44.8 x 55 cm

<sup>1</sup> Scale of Energy Efficiency Classes from A to G

<sup>2</sup> Energy consumption in kWh per 100 cycles (in programme Eco 50 °C)

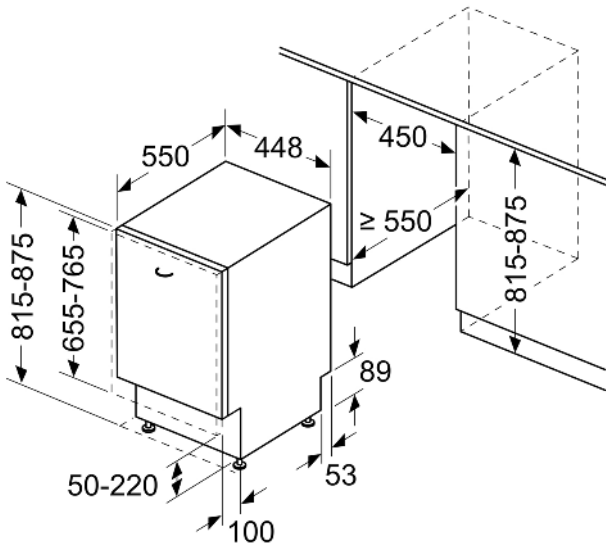
<sup>3</sup> Water consumption in litres per cycle (in programme Eco 50 °C)

<sup>4</sup> Duration of programme Eco 50 °C

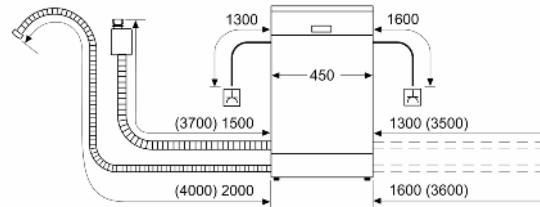
\* Please find warranty terms under [please insert here the local URL (internet address, e.g. <https://www.bosch-home.com/> but with the direct page with the warranty terms)

**Series 4, fully-integrated dishwasher,  
45 cm, Variable hinge for special  
installation situations  
SPT4EMX17E**

measurements in mm



measurements in mm



⏏ socket  
( ) values with extension kit